

Click to view price, real time Inventory,
Delivery & Lifecycle Information ;

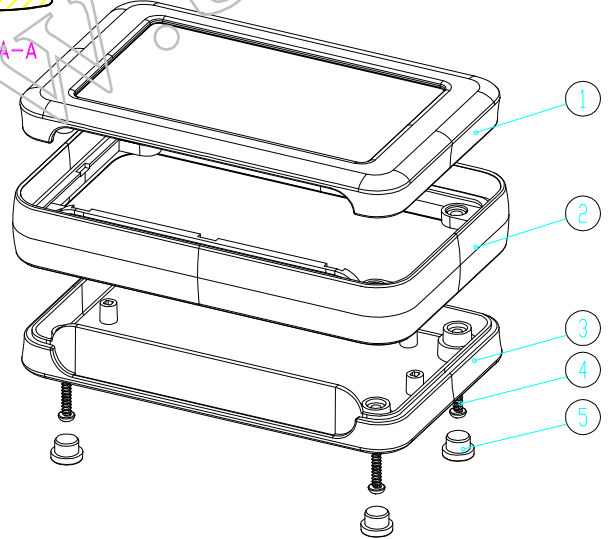
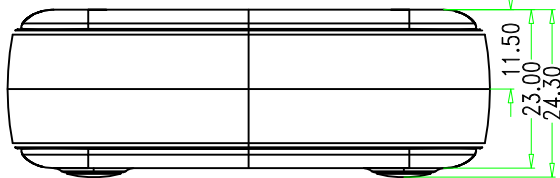
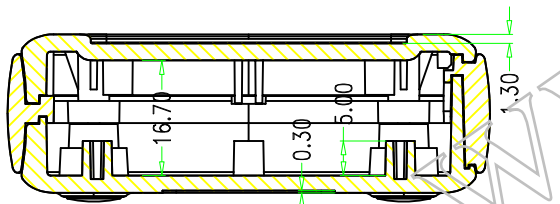
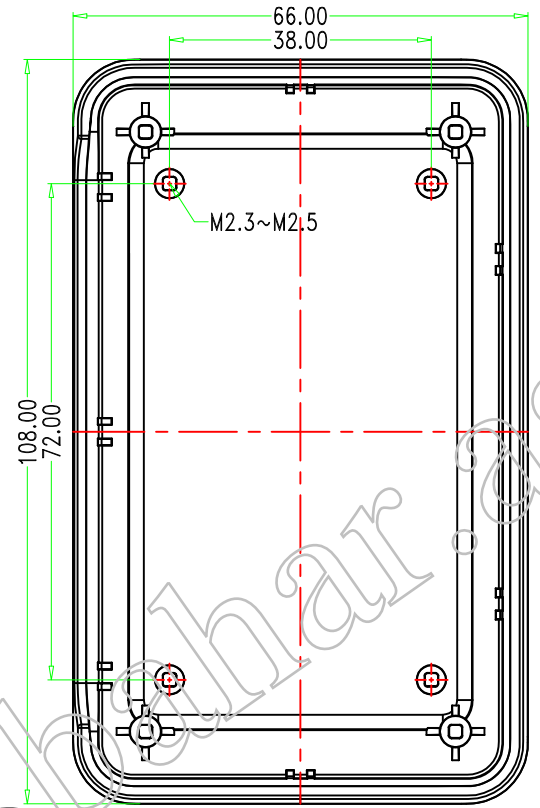
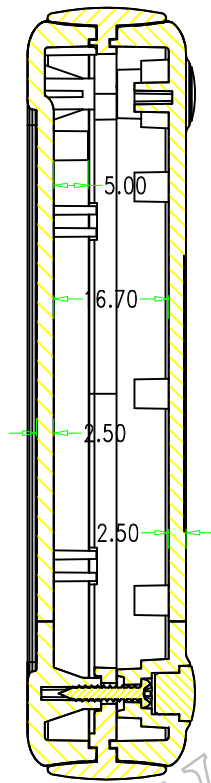
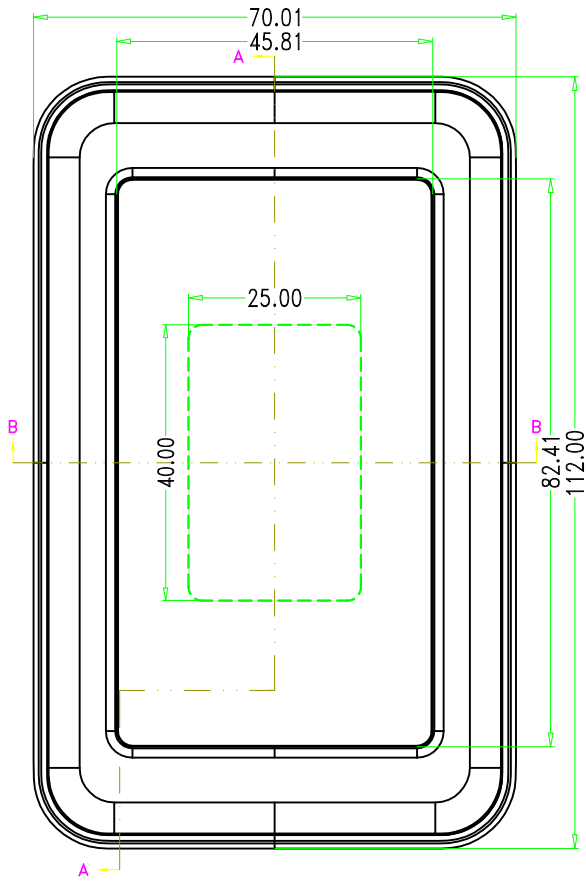
BMC 70015-A1

BAHAR

Case plastic case portable hand-held instrument box

Any questions, please feel free to contact us.

info@kaimte.com



5
4
3
2
1
序号
制图
Drawin