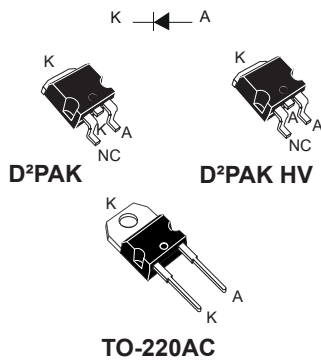


650 V, 12 A power Schottky silicon carbide diode



Features

- No or negligible reverse recovery
- Switching behavior independent of temperature
- Dedicated to PFC applications
- High forward surge capability
- Operating T_j from -40 °C to 175 °C
- D²PAK HV creepage distance (anode to cathode) = 5.38 mm min.
- ECOPACK2 compliant
- Power efficient product

Applications

- DC/DC converter
- High frequency inverter
- Snubber
- Boost PFC function

Description

The SiC diode is an ultra high performance power Schottky diode. It is manufactured using a silicon carbide substrate. The wide band gap material allows the design of a Schottky diode structure with a 650 V rating. Due to the Schottky construction, no recovery is shown at turn-off and ringing patterns are negligible. The minimal capacitive turn-off behavior is independent of temperature.

Housed in D²PAK HV, this diode is perfectly suited for a usage in PFC applications, in charging station, DC/DC, easing the compliance to IEC-60664-1.

Product label



Product status link

[STPSC12065](#)

Product summary

Symbol	Value
$I_{F(AV)}$	12 A
V_{RRM}	650 V
T_j (max.)	175 °C
V_F (typ.)	1.30 V

1 Characteristics

Table 1. Absolute ratings (limiting values at 25 °C, unless otherwise specified)

Symbol	Parameter	Value	Unit
V_{RRM}	Repetitive peak reverse voltage	650	V
$I_{F(RMS)}$	Forward rms current	22	A
$I_{F(AV)}$	Average forward current	$T_C = 145\text{ °C}$, DC ⁽¹⁾	A
I_{FRM}	Repetitive peak forward current	$T_C = 145\text{ °C}$, $T_J = 175\text{ °C}$, $\delta = 0.1$	A
I_{FSM}	Surge non repetitive forward current	$t_p = 10\text{ ms}$ sinusoidal, $T_C = 25\text{ °C}$	50
		$t_p = 10\text{ ms}$ sinusoidal, $T_C = 125\text{ °C}$	40
		$t_p = 10\text{ }\mu\text{s}$ square, $T_C = 25\text{ °C}$	220
T_{stg}	Storage temperature range	-55 to +175	°C
T_J	Operating junction temperature	-40 to +175	°C

1. Value based on $R_{th(j-c)}$ max.

Table 2. Thermal resistance parameters

Symbol	Parameter	Value		Unit
		Typ.	Max.	
$R_{th(j-c)}$	Junction to case	0.85	1.25	°C/W

For more information, please refer to the following application note:

- AN5088: Rectifiers thermal management, handling and mounting recommendations

Table 3. Static electrical characteristics

Symbol	Parameter	Test conditions	Min.	Typ.	Max.	Unit
I_R ⁽¹⁾	Reverse leakage current	$T_J = 25\text{ °C}$	-	15	150	μA
		$T_J = 150\text{ °C}$		200	1000	
		$T_J = 25\text{ °C}$	600 V	8	50	
V_F ⁽²⁾	Forward voltage drop	$T_J = 25\text{ °C}$	-	1.30	1.45	V
		$T_J = 150\text{ °C}$	-	1.45	1.65	
		$T_J = 175\text{ °C}$	-	1.50		

1. Pulse test: $t_p = 5\text{ ms}$, $\delta < 2\%$

2. Pulse test: $t_p = 500\text{ }\mu\text{s}$, $\delta < 2\%$

To evaluate the conduction losses use the following equation:

$$P = 1.02 \times I_{F(AV)} + 0.065 \times I_{F(RMS)}^2$$

For more information, please refer to the following application notes related to the power losses :

- AN604: Calculation of conduction losses in a power rectifier
- AN4021: Calculation of reverse losses on a power diode

Table 4. Dynamic electrical characteristics

Symbol	Parameter	Test conditions	Min.	Typ.	Max.	Unit
Q_{Cj}	Total capacitive charge	$V_R = 400\text{ V}$	-	36	-	nC
C_j	Total capacitance	$V_R = 0\text{ V}, T_c = 25\text{ }^\circ\text{C}, F = 1\text{ MHz}$	-	750	-	pF
		$V_R = 400\text{ V}, T_c = 25\text{ }^\circ\text{C}, F = 1\text{ MHz}$	-	60	-	

1. Most accurate value for the capacitive charge: $Q_{Cj}(V_R) = \int_0^{V_R} C_j(V)dV$

1.1 Characteristics (curves)

Figure 1. Forward voltage drop versus forward current (typical values)

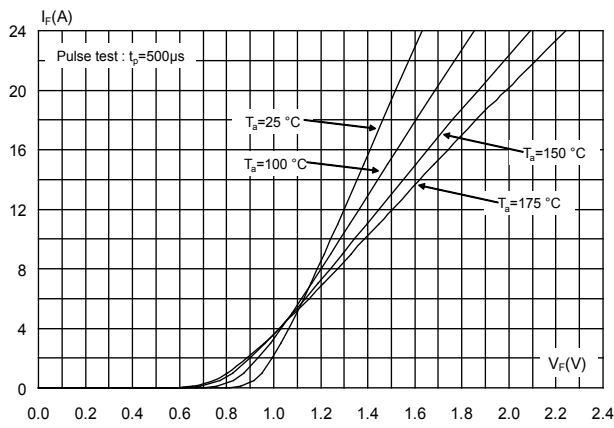


Figure 2. Reverse leakage current versus reverse voltage applied (typical values)

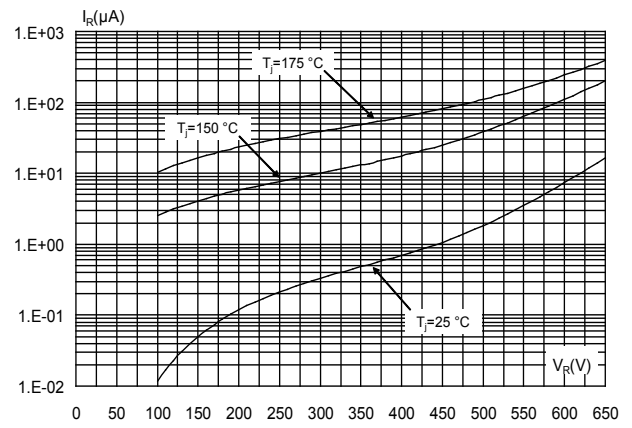


Figure 3. Peak forward current versus case temperature

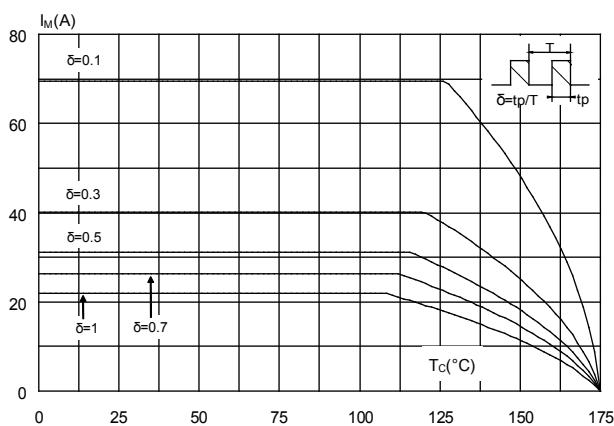


Figure 4. Junction capacitance versus reverse voltage applied (typical values)

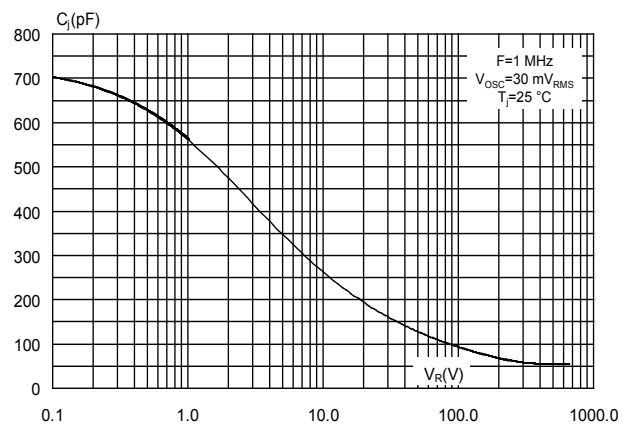


Figure 5. Relative variation of thermal impedance junction to case versus pulse duration

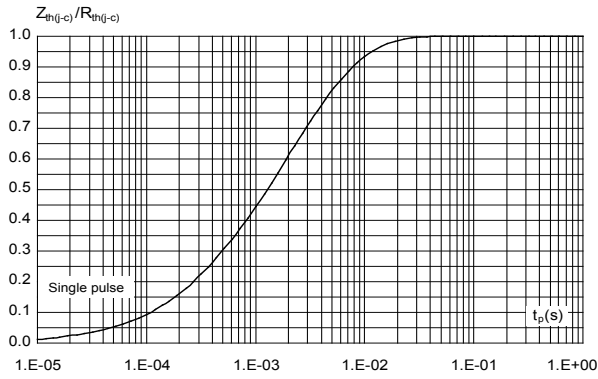


Figure 6. Non-repetitive peak surge forward current versus pulse duration (sinusoidal waveform)

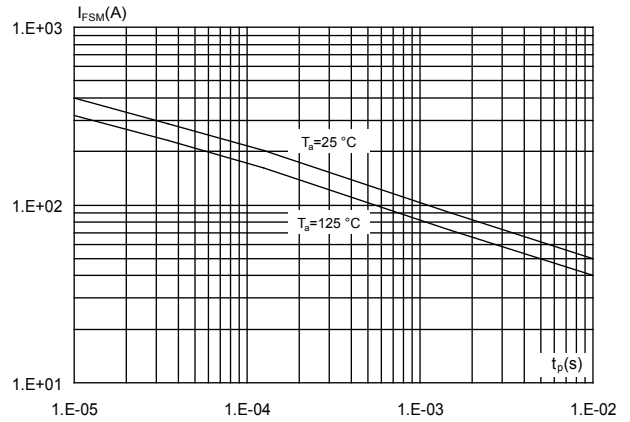


Figure 7. Total capacitive charges versus reverse voltage applied (typical values)

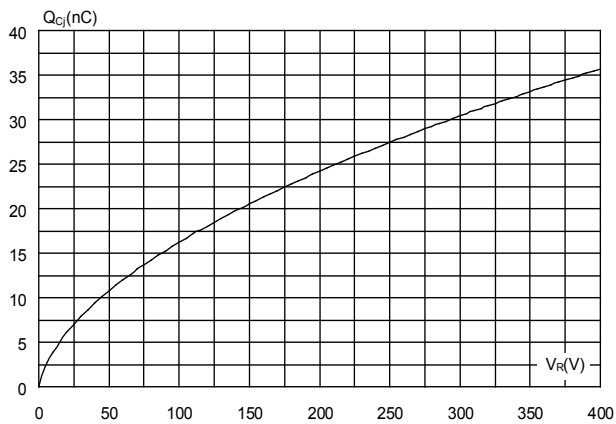
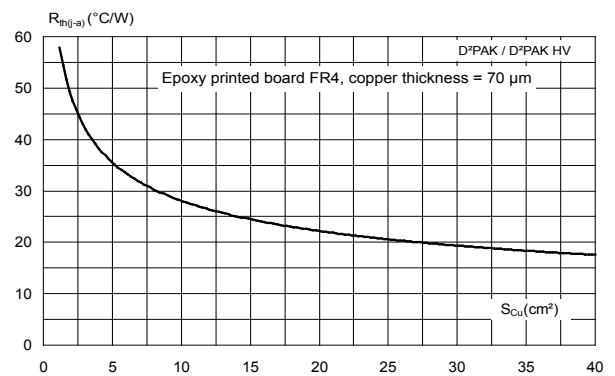


Figure 8. Thermal resistance junction to ambient versus copper surface under tab (typical values)



2 Package information

In order to meet environmental requirements, ST offers these devices in different grades of **ECOPACK** packages, depending on their level of environmental compliance. ECOPACK specifications, grade definitions and product status are available at: www.st.com. ECOPACK is an ST trademark.

2.1 TO-220AC package information

- Epoxy meets UL 94, V0
- Cooling method: by conduction (C)
- Recommended torque value: 0.55 N·m
- Maximum torque value: 0.70 N·m

Figure 9. TO-220AC package outline

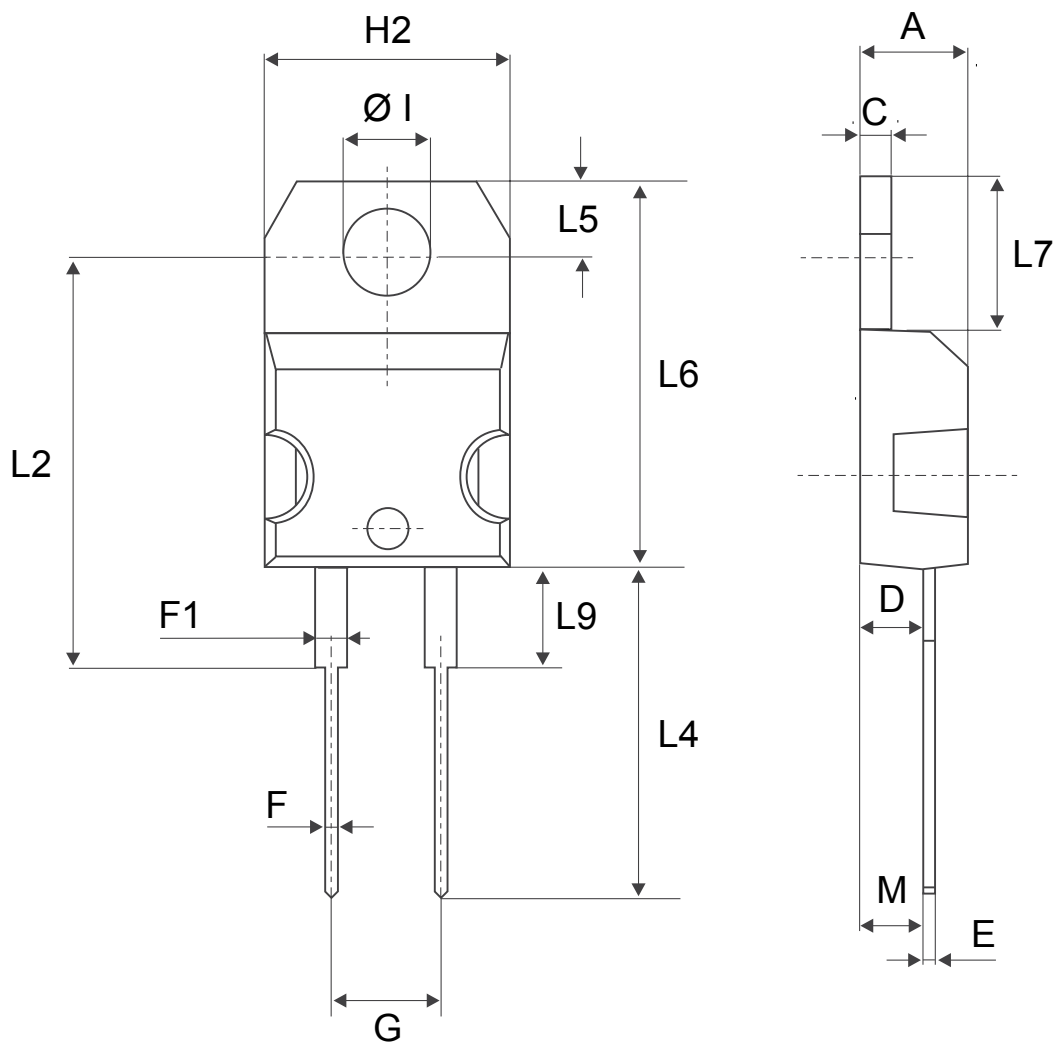


Table 5. TO-220AC package mechanical data

Ref.	Dimensions			
	Millimeters		Inches	
	Min.	Max.	Min.	Max.
A	4.40	4.60	0.173	0.181
C	1.23	1.32	0.048	0.051
D	2.40	2.72	0.094	0.107
E	0.49	0.70	0.019	0.027
F	0.61	0.88	0.024	0.034
F1	1.14	1.70	0.044	0.066
G	4.95	5.15	0.194	0.202
H2	10.00	10.40	0.393	0.409
L2	16.40 typ.		0.645 typ.	
L4	13.00	14.00	0.511	0.551
L5	2.65	2.95	0.104	0.116
L6	15.25	15.75	0.600	0.620
L7	6.20	6.60	0.244	0.259
L9	3.50	3.93	0.137	0.154
M	2.6 typ.		0.102 typ.	
ØI	3.75	3.85	0.147	0.151

2.2 D²PAK package information

- Epoxy meets UL94, V0.
- Cooling method: by conduction (C)

Figure 10. D²PAK package outline

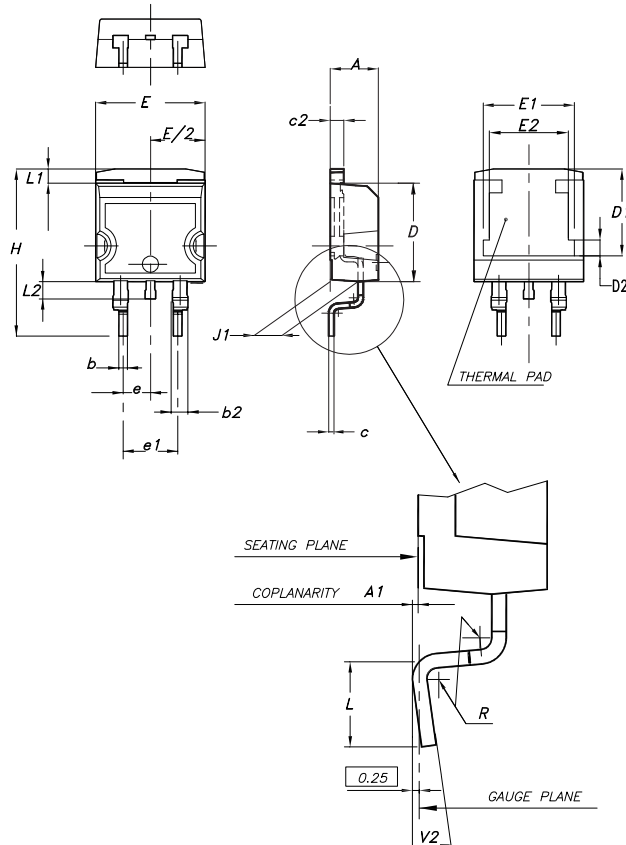
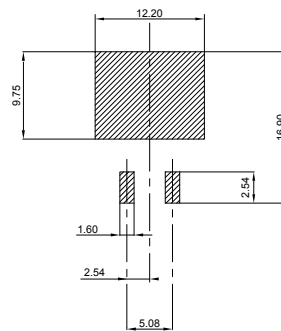


Table 6. D²PAK package mechanical data

Ref.	Dimensions					
	Millimeters			Inches		
	Min.	Typ.	Max.	Min.	Typ.	Max.
A	4.40		4.60	0.173		0.181
A1	0.03		0.23	0.001		0.009
b	0.70		0.93	0.028		0.037
b2	1.14		1.70	0.045		0.067
c	0.45		0.60	0.018		0.024
c2	1.23		1.36	0.048		0.053
D	8.95		9.35	0.352		0.368
D1	7.50	7.75	8.00	0.295	0.305	0.315
D2	1.10	1.30	1.50	0.043	0.051	0.060
E	10		10.40	0.394		0.409
E1	8.30	8.50	8.70	0.326	0.335	0.343
E2	6.85	7.05	7.25	0.266	0.278	0.282
e		2.54			0.100	
e1	4.88		5.28	0.190		0.205
H	15		15.85	0.591		0.624
J1	2.49		2.69	0.097		0.106
L	2.29		2.79	0.090		0.110
L1	1.27		1.40	0.049		0.055
L2	1.30		1.75	0.050		0.069
R		0.4			0.015	
V2	0°		8°	0°		8°

Figure 11. D²PAK recommended footprint (dimensions are in mm)



Footprint_26

2.3 D²PAK high voltage package information

- Epoxy meets UL94, V0

Figure 12. D²PAK high voltage package outline

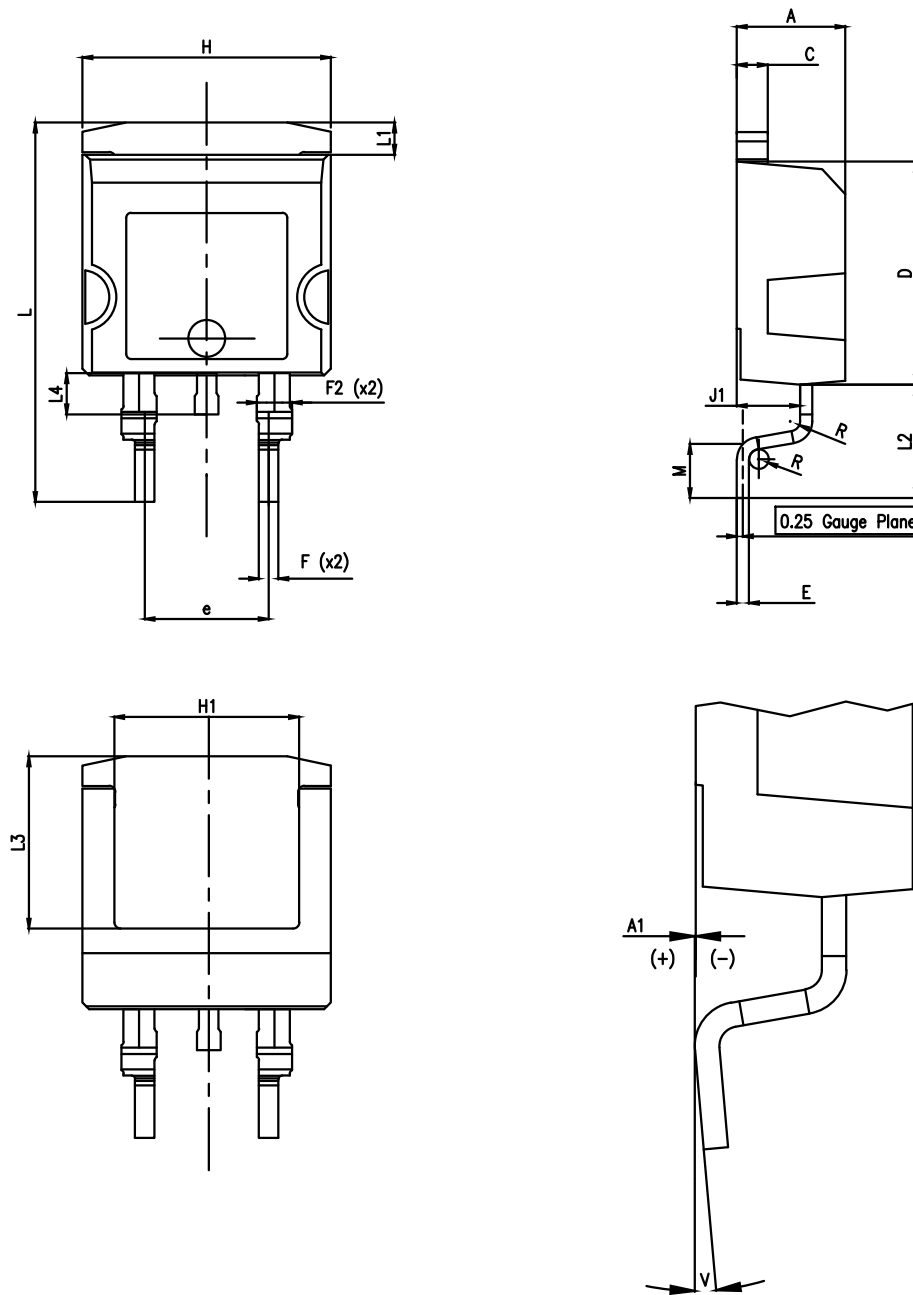
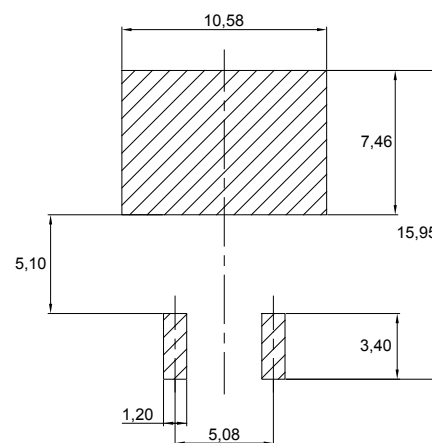


Table 7. D²PAK high voltage package mechanical data

Ref.	Dimensions		
	Min.	Typ.	Max.
A	4.30	-	4.70
A1	0.03	-	0.20
C	1.17	-	1.37
D	8.95	-	9.35
e	4.98	-	5.18
E	0.50	-	0.90
F	0.78	- <td 0.85	
F2	1.14	-	1.70
H	10.00	-	10.40
H1	7.40	-	7.80
J1	2.49	-	2.69
L	15.30	-	15.80
L1	1.27	-	1.40
L2	4.93	-	5.23
L3	6.85	-	7.25
L4	1.5	-	1.7
M	2.6	-	2.9
R	0.20	-	0.60
V	0°	-	8°

Figure 13. D²PAK high voltage footprint in mm



Note: For package and tape orientation, reel and inner box dimensions and tape outline please check TN1173.

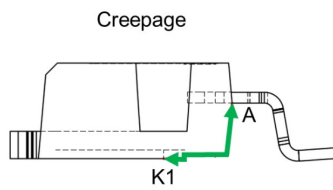
2.3.1 Creepage distance between anode and cathode

Table 8. Creepage distance between anode and cathode

Symbol	Parameter		Value	Unit
Cd _{A-K1}	Minimum creepage distance between A and K1 (with top coating)	D ² PAK HV	5.38	mm
Cd _{A-K2}	Minimum creepage distance between A and K2 (without top coating)		3.48	

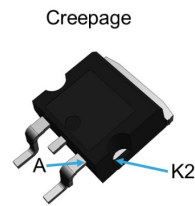
Note: D²PAK HV creepage distance (anode to cathode) = 5.38 mm min. (refer to IEC 60664-1)

Figure 14. Creepage with top coating



Minimum distance between A & K1 = 5.38 mm (with top coating)

Figure 15. Creepage without top coating



Minimum distance between A & K2 = 3.48 mm (without top coating)

3 Ordering information

Table 9. Ordering information

Order code	Marking	Package	Weight	Base qty.	Delivery mode
STPSC12065D	PSC12065D	TO-220AC	1.86 g	50	Tube
STPSC12065G-TR	PSC12065G	D ² PAK	1.48 g	1000	Tape and reel
STPSC12065G2-TR	PSC12065G2	D ² PAK HV	1.48 g	1000	Tape and reel

Revision history

Table 10. Document revision history

Date	Revision	Changes
29-Apr-2016	1	First issue.
12-Jul-2018	2	Added D ² PAK package and Applications section.
25-Mar-2021	3	Updated Description title and Description. Inserted STPOWER logo and product label "ST Sustainable". Added D ² PAK HV package information. Minor text changes.

IMPORTANT NOTICE – PLEASE READ CAREFULLY

STMicroelectronics NV and its subsidiaries (“ST”) reserve the right to make changes, corrections, enhancements, modifications, and improvements to ST products and/or to this document at any time without notice. Purchasers should obtain the latest relevant information on ST products before placing orders. ST products are sold pursuant to ST’s terms and conditions of sale in place at the time of order acknowledgement.

Purchasers are solely responsible for the choice, selection, and use of ST products and ST assumes no liability for application assistance or the design of Purchasers’ products.

No license, express or implied, to any intellectual property right is granted by ST herein.

Resale of ST products with provisions different from the information set forth herein shall void any warranty granted by ST for such product.

ST and the ST logo are trademarks of ST. For additional information about ST trademarks, please refer to www.st.com/trademarks. All other product or service names are the property of their respective owners.

Information in this document supersedes and replaces information previously supplied in any prior versions of this document.

© 2021 STMicroelectronics – All rights reserved

Mouser Electronics

Authorized Distributor

Click to View Pricing, Inventory, Delivery & Lifecycle Information:

[STMicroelectronics:](#)

[STPSC12065G2-TR](#)