

Click to view price, real time Inventory,
Delivery & Lifecycle Information ;

9G1212P4G03

Sanyo Denki

DC Fans 120x25mm 12DC HiPerf NoRib Tach PWM

Any questions, please feel free to contact us.
info@kaimte.com

120 mm sq.

San Ace 120



Model no. 9G1212B401 is not certified.

General Specifications

- Material Frame: Plastics (Flammability: UL94V-0),
Impeller: Plastics (Flammability: UL94V-1)
- Expected Life Refer to specifications (L10:Survival rate:90% at 60°C ,
rated voltage, and continuously run in a free air state)
- Lead Wire ⊕red ⊖black or blue (Sensor) yellow
- Storage Temperature -30°C to +70°C (Non-condensing)

120×120×25mm (Mass : 240g) **9G type** 

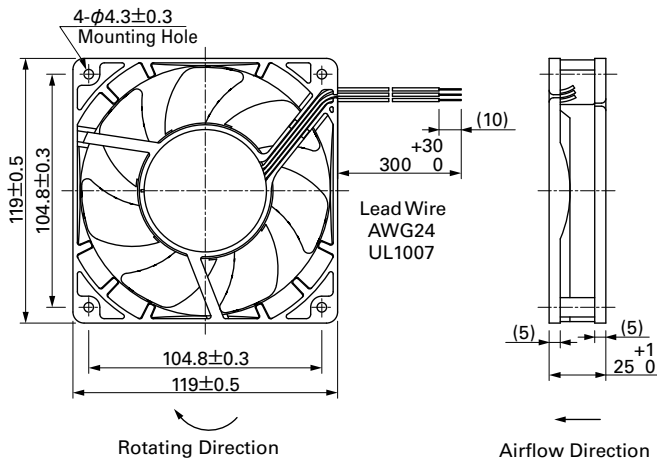
Specifications

The following nos. **have pulse sensors and ribs**. For ribless, append "1" to the model no.

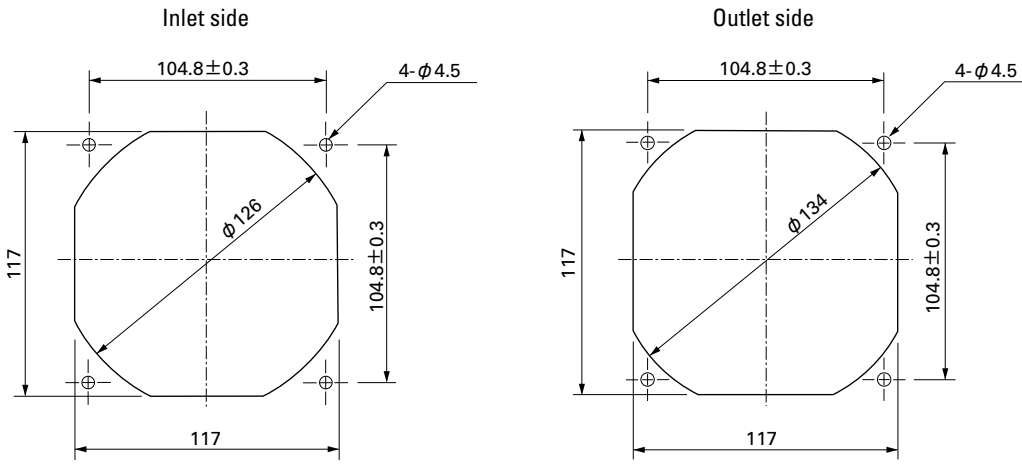
Model No.	Rated Voltage [V]	Operating Voltage Range [V]	Rated Current [A]	Rated Input [W]	Rated Speed [min ⁻¹]	Max. Airflow [m ³ /min] [CFM]	Max. Static Pressure [Pa] [inchH ₂ O]	SPL [dB(A)]	Operating Temperature [°C]	Expected Life [h]
9G1212G401	12	10.2 to 13.8	0.90	10.8	4,100	3.68 130	120 0.482	51	-20 to +70	40,000/60°C
9G1212E401			0.58	6.96	3,650	3.25 115	98 0.394	48		
9G1212A401			0.40	4.80	3,150	2.83 100	77 0.309	44		
9G1212H401		6 to 13.8	0.31	3.72	2,850	2.50 88	64 0.257	40		
9G1212F401		7 to 13.8	0.19	2.28	2,250	1.98 70	42 0.169	35		
9G1212M401		0.14	1.68	1,950	1.66 59	31 0.124	29			
9G1212B401		10.2 to 13.8	0.06	0.72	1,000	0.88 31	9.6 0.039	18		
9G1224G401	24	20.4 to 27.6	0.47	11.28	4,100	3.68 130	120 0.482	51		
9G1224E401			0.37	8.88	3,650	3.25 115	98 0.394	48		
9G1224A401			0.21	5.04	3,150	2.83 100	77 0.309	44		
9G1224H401		12 to 27.6	0.17	4.08	2,850	2.50 88	64 0.257	40		
9G1224F401		20.4 to 27.6	0.10	2.40	2,250	1.98 70	42 0.169	35		
9G1224M401		0.08	1.92	1,950	1.66 59	31 0.124	29			
9G1248G401	48	40.8 to 55.2	0.23	11.04	4,100	3.68 130	120 0.482	51		
9G1248E401			0.16	7.68	3,650	3.25 115	98 0.394	48		
9G1248A401			0.13	6.24	3,150	2.83 100	77 0.309	44		
9G1248H401			0.10	4.80	2,850	2.50 88	64 0.257	40		
9G1248F401			0.06	2.88	2,250	1.98 70	42 0.169	35		
9G1248M401			0.05	2.40	1,950	1.66 59	31 0.124	29		

Other sensor specifications are available as options. Please refer to the index (pp. 503 to 504).

Dimensions (unit: mm) (With ribs)



Reference Dimensions of Mounting Holes and Vent Opening (unit: mm)

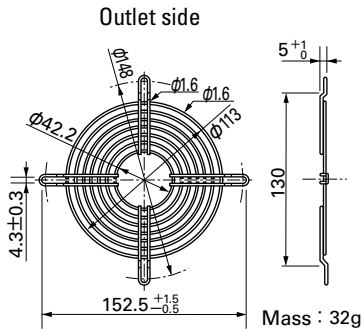


Options (unit: mm)

Finger Guards

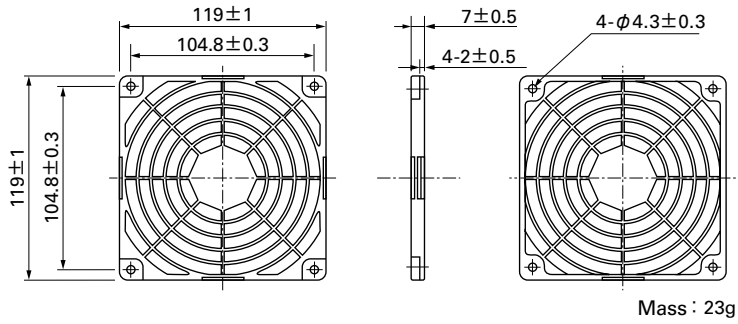
Model : 109-019C Surface treatment : Nickel-chrome plating (silver)
 : 109-019H : Cation electropainting (black)

Color



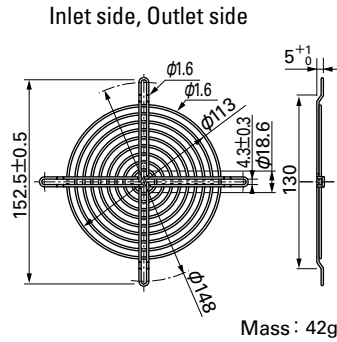
Resin Finger Guards

Model : 109-1000G



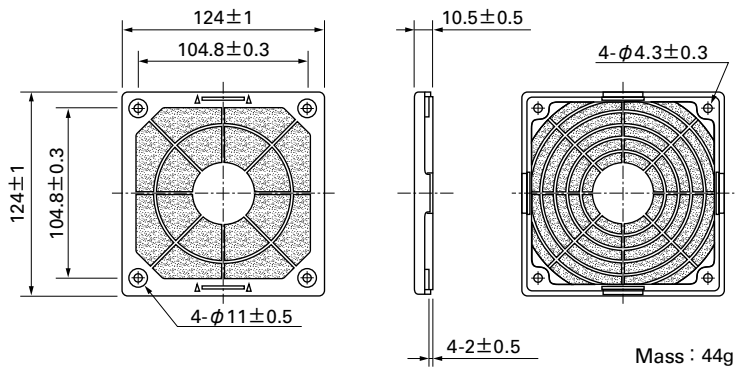
Model : 109-019E Surface treatment : Nickel-chrome plating (silver)
 : 109-019K : Cation electropainting (black)

Color



Resin Filter Kits

Model : 109-1000F13 (13PPI), 109-1000F20 (20PPI)
 : 109-1000F30 (30PPI), 109-1000F40 (40PPI)

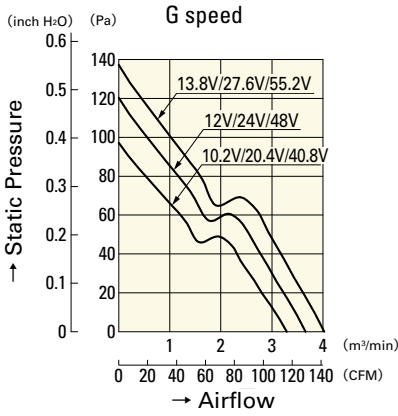


120 mm sq.

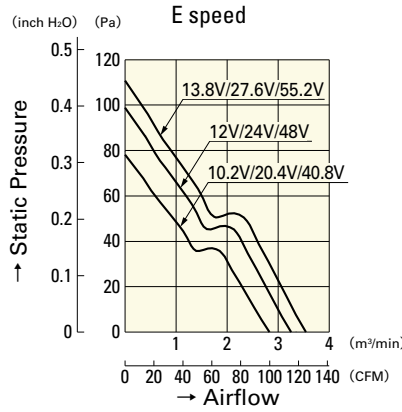
San Ace 120

120×120×25 mm [Mass : 240g]

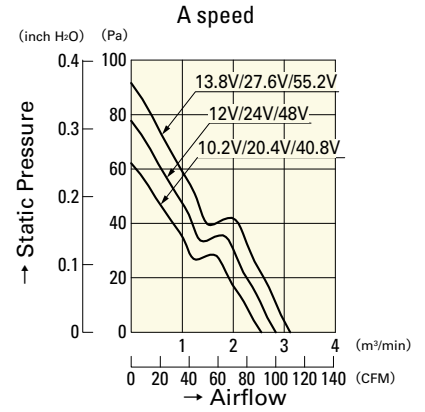
Airflow - Static Pressure Characteristics



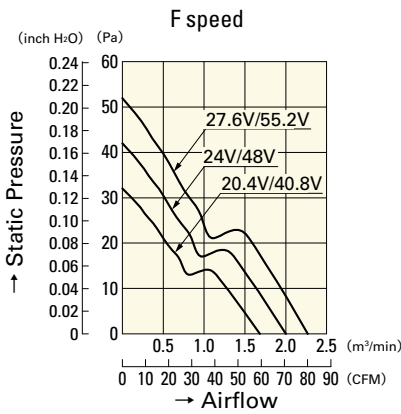
9G1212G401
9G1224G401
9G1248G401



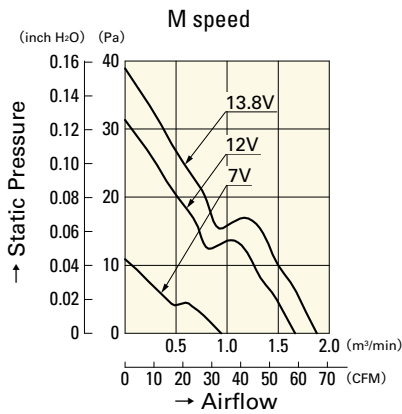
9G1212E401
9G1224E401
9G1248E401



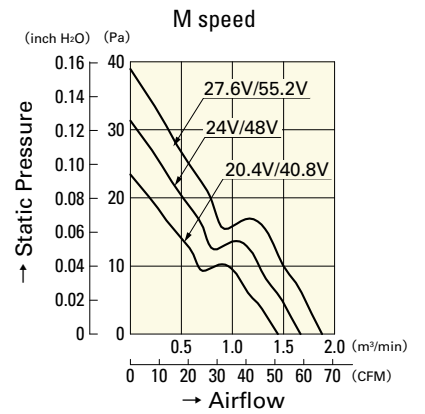
9G1212A401
9G1224A401
9G1248A401



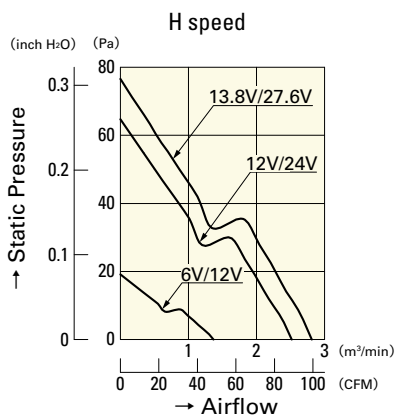
9G1224F401
9G1248F401



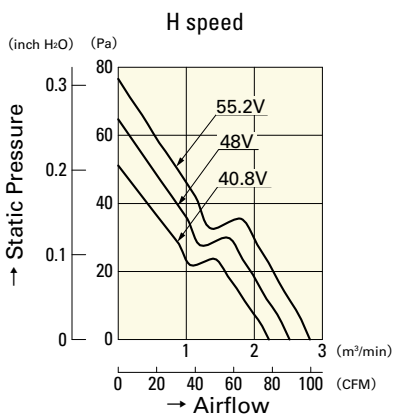
9G1212M401



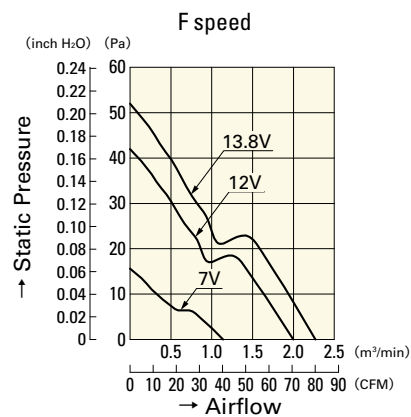
9G1224M401
9G1248M401



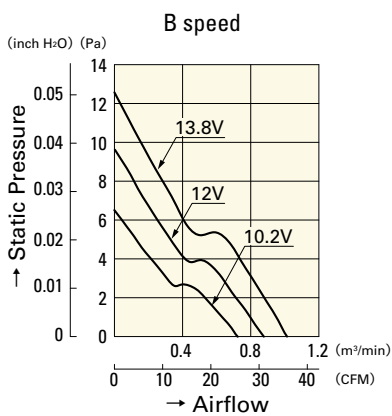
9G1212H401
9G1224H401



9G1248H401



9G1212F401



9G1212B401

Mouser Electronics

Authorized Distributor

Click to View Pricing, Inventory, Delivery & Lifecycle Information:

Sanyo Denki:

[9G1248M402](#) [9G1248H402](#) [9G1248M4D011](#) [9G1248F4D01](#) [9G1248G402](#) [9G1248M4021](#) [9G1248F402](#)
[9G1248H4D01](#) [9G1248G4021](#) [9G1248G4D01](#) [9G1248H4021](#) [9G1248H4D011](#) [9G1248M4D01](#) [9G1248G4D011](#)
[9G1248F4021](#) [9G1248F4D011](#)