

Current Transducer LTC 600-S/SP17

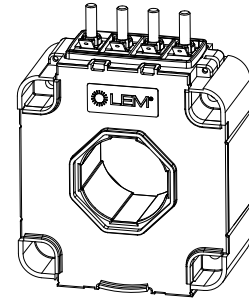
For the electronic measurement of currents: DC, AC, pulsed..., with galvanic separation between the primary circuit and the secondary circuit.



RoHS

cULUS

$$I_{PN} = 600 \text{ A}$$



Electrical data

I_{PN}	Primary nominal RMS current	600	A			
I_{PM}	Primary current, measuring range @ $\pm 24 \text{ V}$	0 ... ± 1500	A			
I_P	Overload capability	10/10	kA/ms			
R_M	Measuring resistance	$R_{M \min}$	$R_{M \max}$			
		with $\pm 15 \text{ V}$	@ $\pm 600 \text{ A}_{\max}$	0	37	Ω
			@ $\pm 1000 \text{ A}_{\max}$	0	16	Ω
		with $\pm 24 \text{ V}$	@ $\pm 600 \text{ A}_{\max}$	19	73	Ω
	@ $\pm 1500 \text{ A}_{\max}$	19	19	Ω		
I_{SN}	Secondary nominal RMS current	200	mA			
K_N	Conversion ratio	1 : 3000				
U_C	Supply voltage ($\pm 5 \%$)	$\pm 15 \dots 24$	V			
I_C	Current consumption	$< 32 (@ \pm 24 \text{ V}) + I_S$	mA			

Accuracy - Dynamic performance data

X_G	Overall accuracy @ I_{PN} , $T_A = 25 \text{ }^\circ\text{C}$	$< \pm 0.7$	%	
ϵ_L	Linearity error	< 0.1	%	
		Max		
I_O	Offset current @ $I_P = 0$, $T_A = 25 \text{ }^\circ\text{C}$	± 0.7	mA	
I_{OT}	Temperature variation of I_O	$-40 \text{ }^\circ\text{C} \dots + 85 \text{ }^\circ\text{C}$	± 0.8	mA
t_r	Step response time ¹⁾ to 90 % of I_{PN}	< 1	μs	
di/dt	di/dt accurately followed	> 100	A/ μs	
BW	Frequency bandwidth (-1 dB)	DC ... 100	kHz	

General data

T_A	Ambient operating temperature	$-40 \dots +85$	$^\circ\text{C}$
T_S	Ambient storage temperature	$-45 \dots +90$	$^\circ\text{C}$
R_S	Resistance of secondary winding @ $T_A = 85 \text{ }^\circ\text{C}$	18	Ω
m	Mass	730	g
	Standards	EN 50155: 2007 UL 508: 2013.	

Features

- Closed loop (compensated) current transducer using the Hall effect
- Insulating plastic case recognized according to UL 94-V0.

Special feature

- $K_N = 1 : 3000$.

Advantages

- Excellent accuracy
- Very good linearity
- Low temperature drift
- Optimized response time
- Wide frequency bandwidth
- No insertion losses
- High immunity to external interference
- Current overload capability.

Applications

- Single or three phase inverters
- Propulsion and braking choppers
- Propulsion converters
- Auxiliary converters
- Battery chargers.

Application Domain

- Traction.

Note: ¹⁾ For a $di/dt = 100 \text{ A}/\mu\text{s}$.

Current Transducer LTC 600-S/SP17

Insulation coordination

U_d	RMS voltage for AC insulation test, 50 Hz, 1 min	13.4 ¹⁾	kV
		1.5 ²⁾	kV
U_e	Partial discharge extinction RMS voltage @ 10 pC	> 2.8	kV
		Min	
d_{cp}	Creepage distance ³⁾	66.7	mm
d_{cl}	Clearance ³⁾	45.9	mm
CTI	Comparative tracking index (group I)	600	

Notes: ¹⁾ Between primary and secondary + shield

²⁾ Between secondary and shield

³⁾ Distance between "A" and "B", see outline drawing.

Safety



This transducer must be used in electric/electronic equipment with respect to applicable standards and safety requirements in accordance with the manufacturer's operating instructions.



Caution, risk of electrical shock

When operating the transducer, certain parts of the module can carry hazardous voltage (eg. primary busbar, power supply).

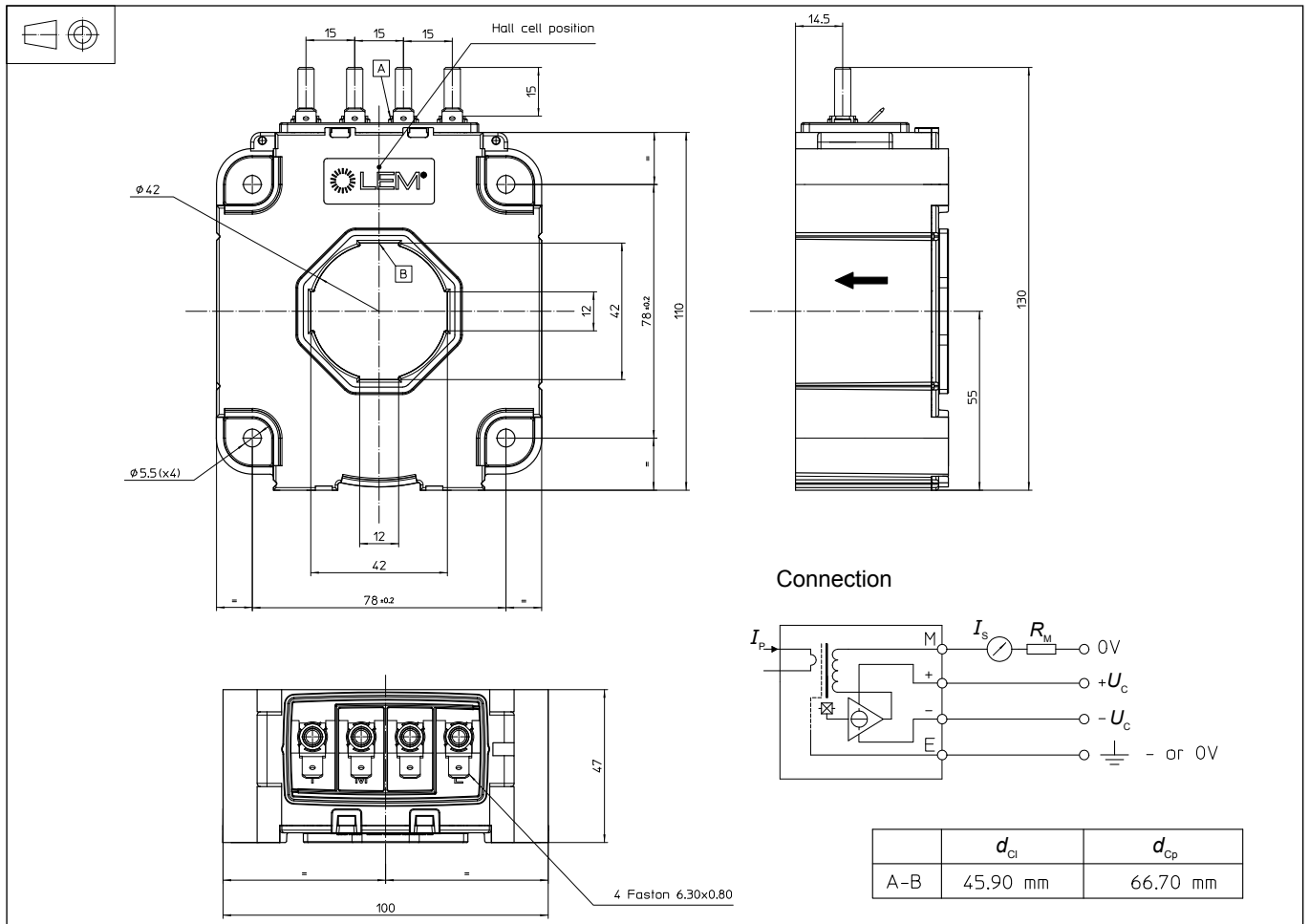
Ignoring this warning can lead to injury and/or cause serious damage.

This transducer is a build-in device, whose conducting parts must be inaccessible after installation.

A protective housing or additional shield could be used.

Main supply must be able to be disconnected.

Dimensions LTC 600-S/SP17 (in mm)



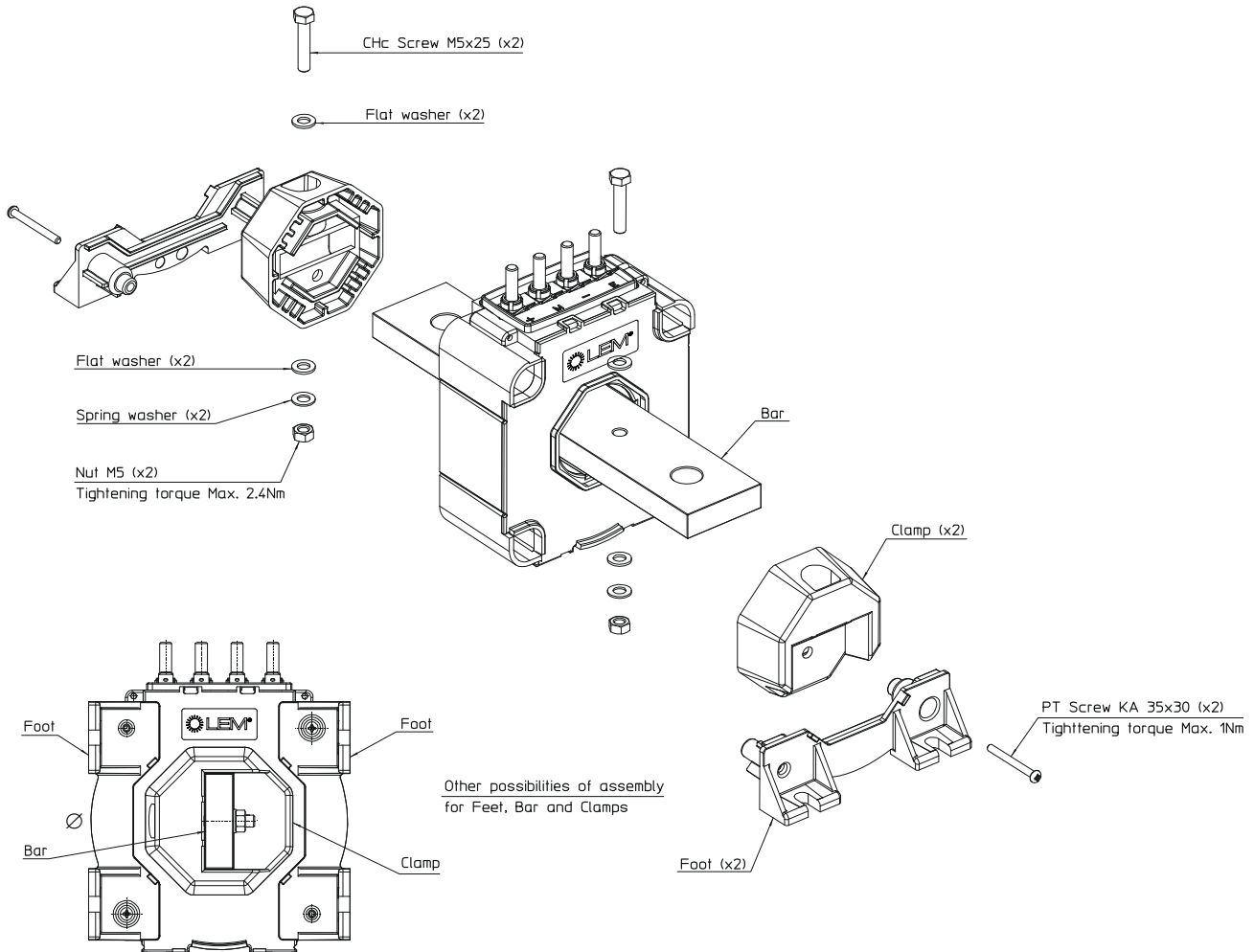
Mechanical characteristics

- General tolerance ± 1 mm
- Transducer fastening
 - 4 holes $\phi 5.5$ mm
 - 4 steel screws M5
 - Recommended fastening torque 3.4 N·m
- Primary through-hole $\phi 42$ mm
- Connection of secondary
 - M5 threaded studs
 - Recommended fastening torque 2.2 N·m
 - Faston 6.3 × 0.8 mm

Remarks

- I_s is positive when I_p flows in the direction of the arrow.
- Temperature of the primary conductor should not exceed 100 °C.
- Installation of the transducer must be done unless otherwise specified on the datasheet, according to LEM Transducer Generic Mounting Rules. Please refer to LEM document N°ANE120504 available on our Web site: [Products/Product Documentation](#).
- Dynamic performances (di/dt and response time) are best with a single bar completely filling the primary hole.

LTC 600-S/SP17 Mechanical adaptation accessories



Accessories	References
Busbar KIT * (busbar : 210 × 40 × 12 mm)	93.34.61.100.0
Busbar KIT * (busbar : 185 × 40 × 8 mm)	93.34.61.102.0
Busbar KIT * (busbar : 285 × 36 × 12 mm)	93.34.61.103.0
Busbar KIT * (busbar : 260 × 36 × 12 mm)	93.34.61.104.0
Busbar KIT * (busbar : 195 × 36 × 10 mm)	93.34.61.105.0
Busbar KIT * (busbar : 36 mm ø × 325 mm)	93.34.61.106.0
Busbar KIT * (busbar : 185 × 40 × 10 mm)	93.34.61.107.0
Busbar KIT * (busbar : 180 × 40 × 12 mm)	93.34.61.108.0
Busbar Fastening Kit **	93.34.61.200.0
Feet fixing Kit ***	93.34.63.100.0

* including all the necessary for its mounting such as screws, washers, nuts, 2 clamps, busbar.

** as with * but without the busbar.

*** including screws and 2 feet.



RMS voltage value for partial discharge extinction depends on the busbar. Refer to the datasheet of the corresponding product.