

Click to view price, real time Inventory,
Delivery & Lifecycle Information ;

PC31UD69V500TF

Ferraz Shawmut

Protistor® size 31 aR, 690VAC (IEC) / 700VAC (UL)

Any questions, please feel free to contact us.

info@kaimte.com

Protistor® size 31 aR

690VAC (IEC) / 700VAC (UL)

SEMICONDUCTOR PROTECTION FUSES

SQUARE BODY HIGH-SPEED FUSE-LINKS AC PROTECTION



The 690/700V Protistor® fuse-links provide maximum flexibility in equipment design and ultimate protection for today's power conversion equipment. These aR ultra-fast acting square body fuse-links are available in different body sizes, each size having multiple worldwide acceptable mounting styles.

They have been engineered to provide state-of-the-art protection for semiconductors: diodes, thyristors and IGBT devices. They are assembled with die-cut elements embedded in solidified sand, which helps control arcing characteristics for a lower I^2t and high interrupting rating level. All contact surfaces are silver plated and all hardware is non-magnetic.

Each fuse-link can be equipped with a low voltage trip-indicator which can operate a field mountable microswitch.

TECHNICAL DATA OVERVIEW

Voltage AC	690 VAC
Ampere Range (A)	160 ... 800 A
Speed/Characteristic	aR
I.R. AC (IEC)	170 kA
Product Size	31

FEATURES & BENEFITS

- Multiple body sizes and terminals or blades combination
- aR Class according to IEC 60269-4 and VDE 636-23
- Very low I^2t for improved semiconductor protection
- Ultra fast acting
- Current limiting
- Superior cycling capability

APPLICATIONS

- Protection of inverters, motor drives, UPS systems and similar 690V or less equipments.

STANDARDS

- IEC 60269.4 Compliance
- UL/CSA Recognized E76491
- CCC GB 1539.4



Protistor® size 31 aR

690VAC (IEC) / 700VAC (UL)

PRODUCT RANGE



PC31UD69V800TF

Size 31 type TTF M8 threaded terminals

Catalog number	Item number	Rated voltage AC (IEC)	Rated voltage AC (UL)	Rated current I _n	Pre-arcing I ² t	Clearing I ² t at Rated Voltage	Rated breaking capacity AC	Power dissipation at I _n	Package	Weight
PC31UD69V160TF	M300299	690 V	700 V	160 A	1300 A ² s	7700 A ² s	200 kA	35 W	3	0.38 kg
PC31UD69V200TF	N300001	690 V	700 V	200 A	2600 A ² s	15000 A ² s	200 kA	45 W	3	0.38 kg
PC31UD69V250TF	P300002	690 V	700 V	250 A	4700 A ² s	28000 A ² s	200 kA	52 W	3	0.38 kg
PC31UD69V315TF	Q300003	690 V	700 V	315 A	7500 A ² s	44000 A ² s	200 kA	65 W	3	0.38 kg
PC31UD69V350TF	M300046	690 V	700 V	350 A	10300 A ² s	61000 A ² s	200 kA	67 W	3	0.38 kg
PC31UD69V400TF	R300004	690 V	700 V	400 A	19000 A ² s	110000 A ² s	200 kA	68 W	3	0.38 kg
PC31UD69V450TF	S300005	690 V	700 V	450 A	26500 A ² s	155000 A ² s	200 kA	70 W	3	0.38 kg
PC31UD69V500TF	T300006	690 V	700 V	500 A	37000 A ² s	215000 A ² s	200 kA	70 W	3	0.38 kg
PC31UD69V550TF	V300007	690 V	700 V	550 A	52000 A ² s	310000 A ² s	200 kA	70 W	3	0.38 kg
PC31UD69V630TF	W300008	690 V	700 V	630 A	75000 A ² s	430000 A ² s	200 kA	75 W	3	0.38 kg
PC31UD69V700TF	X300009	690 V	700 V	700 A	95000 A ² s	540000 A ² s	200 kA	85 W	3	0.38 kg
PC31UD69V800TF	Y300401	690 V	700 V	800 A	140000 A ² s	880000 A ² s	200 kA	105 W	3	0.38 kg



A070UD31TTI800

Size 31 type TTI 5/16''-18 unified coarse threaded terminals

Catalog number	Item number	Rated voltage AC (IEC)	Rated voltage AC (UL)	Rated current I _n	Pre-arcing I ² t	Clearing I ² t at Rated Voltage	Rated breaking capacity AC	Power dissipation at I _n	Package	Weight
A070UD31TTI200	A300472	690 V	700	200 A	2600 A ² s	15000 A ² s	200 kA	45 W	3	0.39 kg
A070UD31TTI250	B300473	690 V	700	250 A	4700 A ² s	28000 A ² s	200 kA	52 W	3	0.39 kg
A070UD31TTI315	C300474	690 V	700	315 A	7500 A ² s	44000 A ² s	200 kA	65 W	3	0.39 kg
A070UD31TTI350	D300475	690 V	700	350 A	10300 A ² s	61000 A ² s	200 kA	67 W	3	0.39 kg
A070UD31TTI400	E300476	690 V	700	400 A	19000 A ² s	110000 A ² s	200 kA	68 W	3	0.39 kg
A070UD31TTI450	F300477	690 V	700	450 A	26500 A ² s	155000 A ² s	200 kA	70 W	3	0.39 kg
A070UD31TTI500	G300478	690 V	700	500 A	37000 A ² s	215000 A ² s	200 kA	70 W	3	0.39 kg
A070UD31TTI550	H300479	690 V	700	550 A	52000 A ² s	310000 A ² s	200 kA	70 W	3	0.39 kg
A070UD31TTI630	J300480	690 V	700	630 A	75000 A ² s	430000 A ² s	200 kA	75 W	3	0.39 kg
A070UD31TTI700	K300481	690 V	700	700 A	95000 A ² s	540000 A ² s	200 kA	85 W	3	0.39 kg
A070UD31TTI800	L300482	690 V	700	800 A	140000 A ² s	880000 A ² s	200 kA	105 W	3	0.39 kg

Protistor® size 31 aR

690VAC (IEC) / 700VAC (UL)

PRODUCT RANGE



PC31UD69V800A

Size 31 type DIN80 blades

Catalog number	Item number	Rated voltage AC (IEC)	Rated voltage AC (UL)	Rated current I _n	Pre-arcing I ² t	Clearing I ² t at Rated Voltage	Rated breaking capacity AC	Power dissipation at I _n	Package	Weight
PC31UD69V160A	M300322	690 V	700 V	160 A	1300 A ² s	7700 A ² s	200 kA	35 W	3	0.39 kg
PC31UD69V200A	Y300010	690 V	700 V	200 A	2600 A ² s	15000 A ² s	200 kA	45 W	3	0.39 kg
PC31UD69V250A	Z300011	690 V	700 V	250 A	4700 A ² s	28000 A ² s	200 kA	52 W	3	0.39 kg
PC31UD69V315A	A300012	690 V	700 V	315 A	7500 A ² s	44000 A ² s	200 kA	65 W	3	0.39 kg
PC31UD69V350A	Q300049	690 V	700 V	350 A	10300 A ² s	61000 A ² s	200 kA	67 W	3	0.39 kg
PC31UD69V400A	B300013	690 V	700 V	400 A	19000 A ² s	110000 A ² s	200 kA	68 W	3	0.39 kg
PC31UD69V450A	C300014	690 V	700 V	450 A	26500 A ² s	155000 A ² s	200 kA	70 W	3	0.39 kg
PC31UD69V500A	D300015	690 V	700 V	500 A	37000 A ² s	215000 A ² s	200 kA	72 W	3	0.39 kg
PC31UD69V550A	E300016	690 V	700 V	550 A	52000 A ² s	310000 A ² s	200 kA	75 W	3	0.39 kg
PC31UD69V630A	F300017	690 V	700 V	630 A	75000 A ² s	430000 A ² s	200 kA	85 W	3	0.39 kg
PC31UD69V700A	G300018	690 V	700 V	700 A	95000 A ² s	540000 A ² s	200 kA	95 W	3	0.39 kg
PC31UD69V800A	D300406	690 V	700 V	800 A	140000 A ² s	880000 A ² s	200 kA	120 W	3	0.39 kg

Size 31 type DIN110 blades

Catalog number	Item number	Rated voltage AC (IEC)	Rated voltage AC (UL)	Rated current I _n	Pre-arcing I ² t	Clearing I ² t at Rated Voltage	Rated breaking capacity AC	Power dissipation at I _n	Package	Weight
PC31UD69V200D1A	H300019	690 V	700 V	200 A	2600 A ² s	15000 A ² s	200 kA	45 W	3	0.41 kg
PC31UD69V250D1A	J300020	690 V	700 V	250 A	4700 A ² s	28000 A ² s	200 kA	52 W	3	0.41 kg
PC31UD69V315D1A	K300021	690 V	700 V	315 A	7500 A ² s	44000 A ² s	200 kA	65 W	3	0.41 kg
PC31UD69V350D1A	P300048	690 V	700 V	350 A	10300 A ² s	61000 A ² s	200 kA	67 W	3	0.41 kg
PC31UD69V400D1A	L300022	690 V	700 V	400 A	19000 A ² s	110000 A ² s	200 kA	68 W	3	0.41 kg
PC31UD69V450D1A	M300023	690 V	700 V	450 A	26500 A ² s	155000 A ² s	200 kA	70 W	3	0.41 kg
PC31UD69V500D1A	N300024	690 V	700 V	500 A	37000 A ² s	215000 A ² s	200 kA	72 W	3	0.41 kg
PC31UD69V550D1A	P300025	690 V	700 V	550 A	52000 A ² s	310000 A ² s	200 kA	75 W	3	0.41 kg
PC31UD69V630D1A	Q300026	690 V	700 V	630 A	75000 A ² s	430000 A ² s	200 kA	85 W	3	0.41 kg
PC31UD69V700D1A	R300027	690 V	700 V	700 A	95000 A ² s	540000 A ² s	200 kA	95 W	3	0.41 kg
PC31UD69V800D1A	H300709	690 V	700 V	800 A	140000 A ² s	880000 A ² s	200 kA	120 W	3	0.41 kg

Size 31 type KI short slotted blades

Catalog number	Item number	Rated voltage AC (IEC)	Rated voltage AC (UL)	Rated current I _n	Pre-arcing I ² t	Clearing I ² t at Rated Voltage	Rated breaking capacity AC	Power dissipation at I _n	Package	Weight
A070UD31KI160	F300385	690 V	700 V	160 A	1300 A ² s	7700 A ² s	200 kA	35 W	3	0.40 kg
A070UD31KI200	S300028	690 V	700 V	200 A	2600 A ² s	15000 A ² s	200 kA	45 W	3	0.40 kg
A070UD31KI250	T300029	690 V	700 V	250 A	4700 A ² s	28000 A ² s	200 kA	52 W	3	0.40 kg
A070UD31KI315	V300030	690 V	700 V	315 A	7500 A ² s	44000 A ² s	200 kA	65 W	3	0.40 kg
A070UD31KI350	R300050	690 V	700 V	350 A	10300 A ² s	61000 A ² s	200 kA	67 W	3	0.40 kg
A070UD31KI400	W300031	690 V	700 V	400 A	19000 A ² s	110000 A ² s	200 kA	68 W	3	0.40 kg
A070UD31KI450	X300032	690 V	700 V	450 A	26500 A ² s	155000 A ² s	200 kA	70 W	3	0.40 kg
A070UD31KI500	Y300033	690 V	700 V	500 A	37000 A ² s	215000 A ² s	200 kA	72 W	3	0.40 kg
A070UD31KI550	Z300034	690 V	700 V	550 A	52000 A ² s	310000 A ² s	200 kA	75 W	3	0.40 kg
A070UD31KI630	A300035	690 V	700 V	630 A	75000 A ² s	430000 A ² s	200 kA	85 W	3	0.40 kg
A070UD31KI700	B300036	690 V	700 V	700 A	95000 A ² s	540000 A ² s	200 kA	95 W	3	0.40 kg
A070UD31KI800	A301070	690 V	700 V	800 A	140000 A ² s	880000 A ² s	200 kA	120 W	3	0.40 kg

MERSEN reserves the right to change, update or correct, without notice, any information contained in this datasheet.

Protistor® size 31 aR

690VAC (IEC) / 700VAC (UL)

PRODUCT RANGE



A070UD31LI800

Size 31 type LI long slotted blades

Catalog number	Item number	Rated voltage AC (IEC)	Rated voltage AC (UL)	Rated current I _n	Pre-arcing I ² t	Clearing I ² t at Rated Voltage	Rated breaking capacity AC	Power dissipation at I _n	Package	Weight
A070UD31LI200	V300697	690 V	700 V	200 A	2600 A ² s	15000 A ² s	200 kA	45 W	3	0.42 kg
A070UD31LI250	W300698	690 V	700 V	250 A	4700 A ² s	28000 A ² s	200 kA	52 W	3	0.42 kg
A070UD31LI315	X300699	690 V	700 V	315 A	7500 A ² s	44000 A ² s	200 kA	65 W	3	0.42 kg
A070UD31LI350	Y300700	690 V	700 V	350 A	10300 A ² s	61000 A ² s	200 kA	67 W	3	0.42 kg
A070UD31LI400	Z300701	690 V	700 V	400 A	19000 A ² s	110000 A ² s	200 kA	68 W	3	0.42 kg
A070UD31LI450	A300702	690 V	700 V	450 A	26500 A ² s	155000 A ² s	200 kA	70 W	3	0.42 kg
A070UD31LI500	B300703	690 V	700 V	500 A	37000 A ² s	215000 A ² s	200 kA	72 W	3	0.42 kg
A070UD31LI550	C300704	690 V	700 V	550 A	52000 A ² s	310000 A ² s	200 kA	75 W	3	0.42 kg
A070UD31LI630	D300705	690 V	700 V	630 A	75000 A ² s	430000 A ² s	200 kA	85 W	3	0.42 kg
A070UD31LI700	E300706	690 V	700 V	700 A	95000 A ² s	540000 A ² s	200 kA	95 W	3	0.42 kg
A070UD31LI800	F300707	690 V	700 V	800 A	140000 A ² s	880000 A ² s	200 kA	120 W	3	0.42 kg



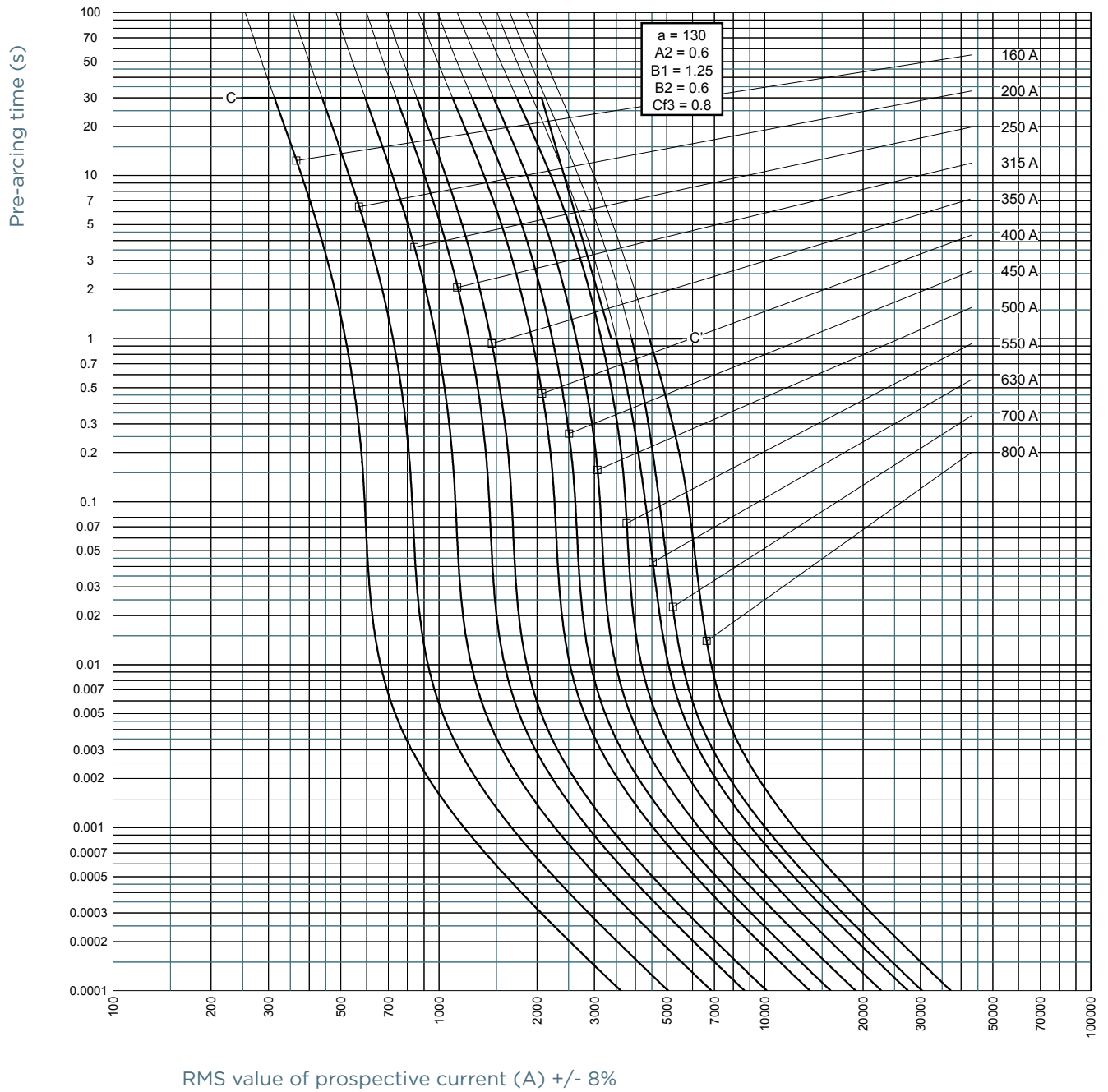
PC31UD69V700EF

Size 31 for type EF blade bolted connections

Catalog number	Item number	Rated voltage AC (IEC)	Rated voltage AC (UL)	Rated current I _n	Pre-arcing I ² t	Clearing I ² t at Rated Voltage	Rated breaking capacity AC	Power dissipation at I _n	Package	Weight
PC31UD69V160EF	B301922	690 V	700 V	160 A	1300 A ² s	7700 A ² s	200 kA	35 W	3	0.40 kg
PC31UD69V200EF	C300037	690 V	700 V	200 A	2600 A ² s	15000 A ² s	200 kA	45 W	3	0.40 kg
PC31UD69V250EF	D300038	690 V	700 V	250 A	4700 A ² s	28000 A ² s	200 kA	52 W	3	0.40 kg
PC31UD69V315EF	E300039	690 V	700 V	315 A	7500 A ² s	44000 A ² s	200 kA	65 W	3	0.40 kg
PC31UD69V350EF	N300047	690 V	700 V	350 A	10300 A ² s	61000 A ² s	200 kA	67 W	3	0.40 kg
PC31UD69V400EF	F300040	690 V	700 V	400 A	19000 A ² s	110000 A ² s	200 kA	68 W	3	0.40 kg
PC31UD69V450EF	G300041	690 V	700 V	450 A	26500 A ² s	155000 A ² s	200 kA	70 W	3	0.40 kg
PC31UD69V500EF	H300042	690 V	700 V	500 A	37000 A ² s	215000 A ² s	200 kA	72 W	3	0.40 kg
PC31UD69V550EF	J300043	690 V	700 V	550 A	52000 A ² s	310000 A ² s	200 kA	75 W	3	0.40 kg
PC31UD69V630EF	K300044	690 V	700 V	630 A	75000 A ² s	430000 A ² s	200 kA	85 W	3	0.40 kg
PC31UD69V700EF	L300045	690 V	700 V	700 A	95000 A ² s	540000 A ² s	200 kA	95 W	3	0.40 kg

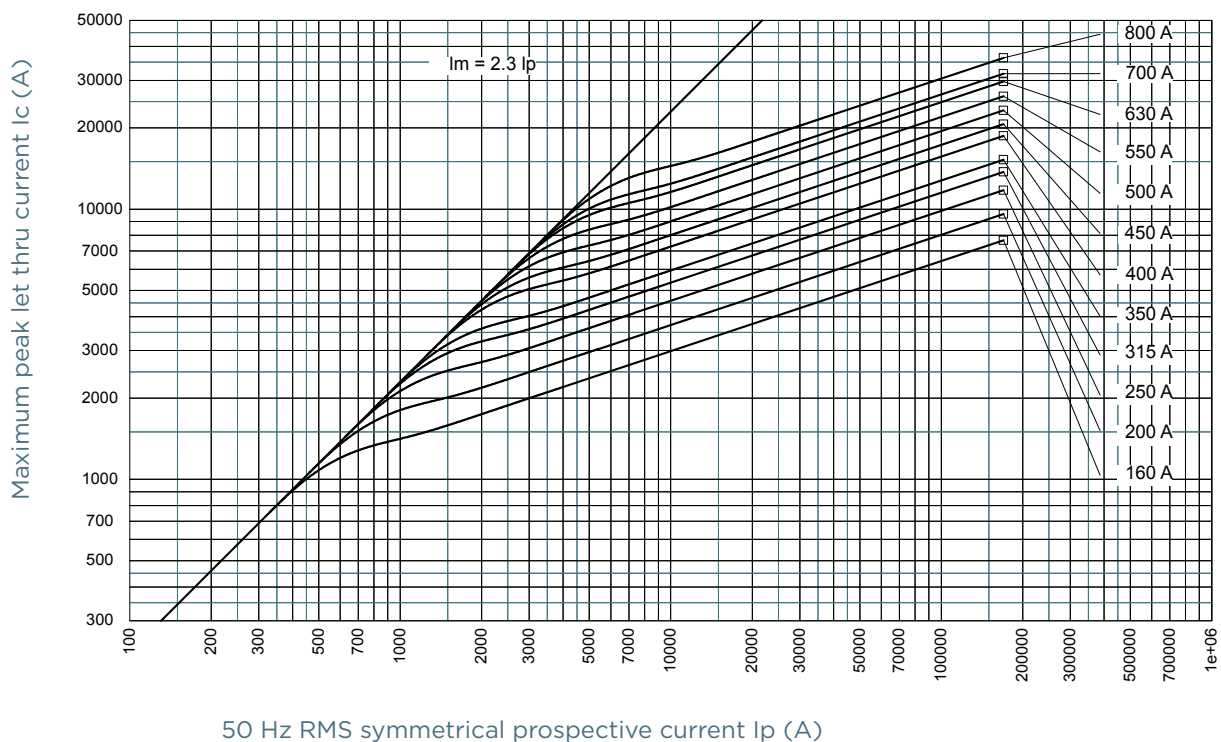
MERSEN reserves the right to change, update or correct, without notice, any information contained in this datasheet.

TIME CURRENT CHARACTERISTIC CURVES

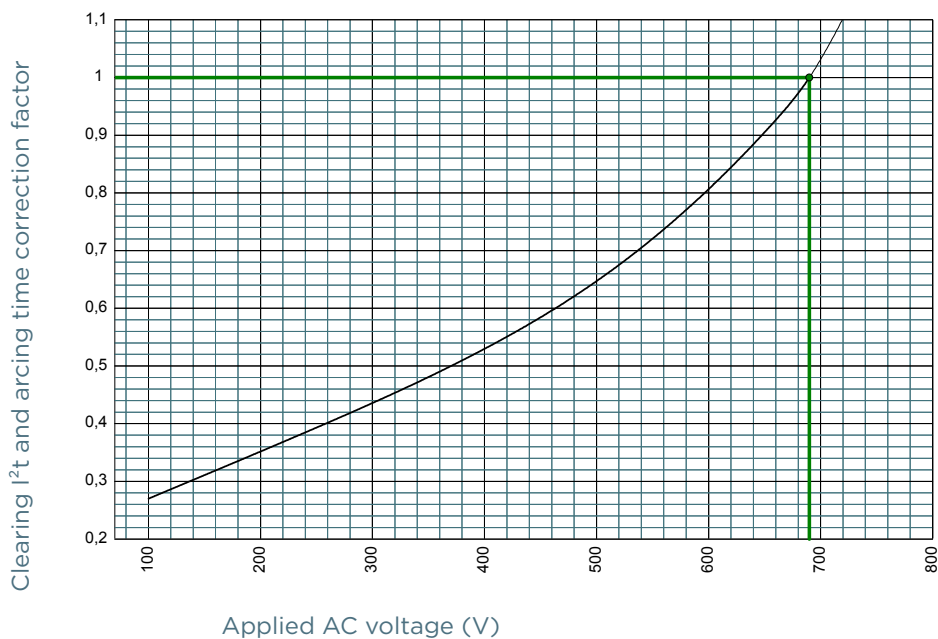


MERSEN reserves the right to change, update or correct, without notice, any information contained in this datasheet.

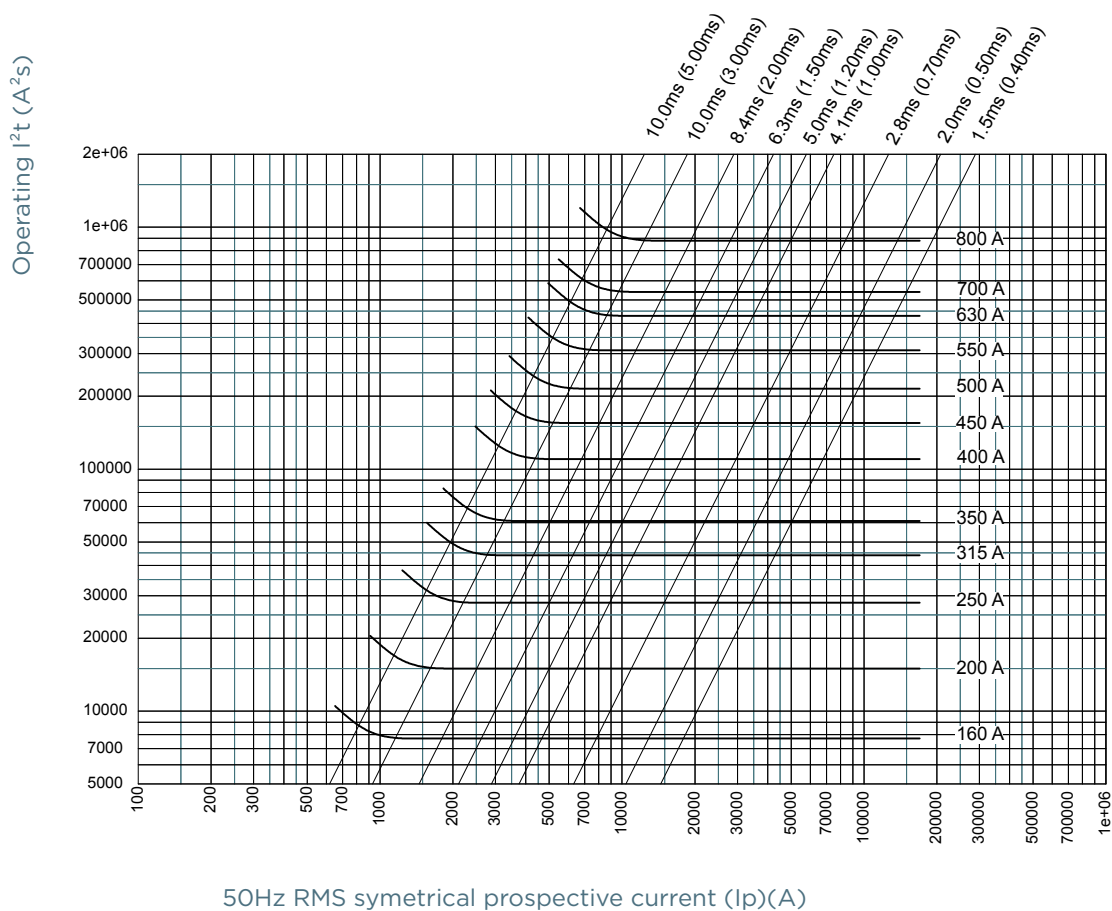
CUT-OFF CURRENT CHARACTERISTIC



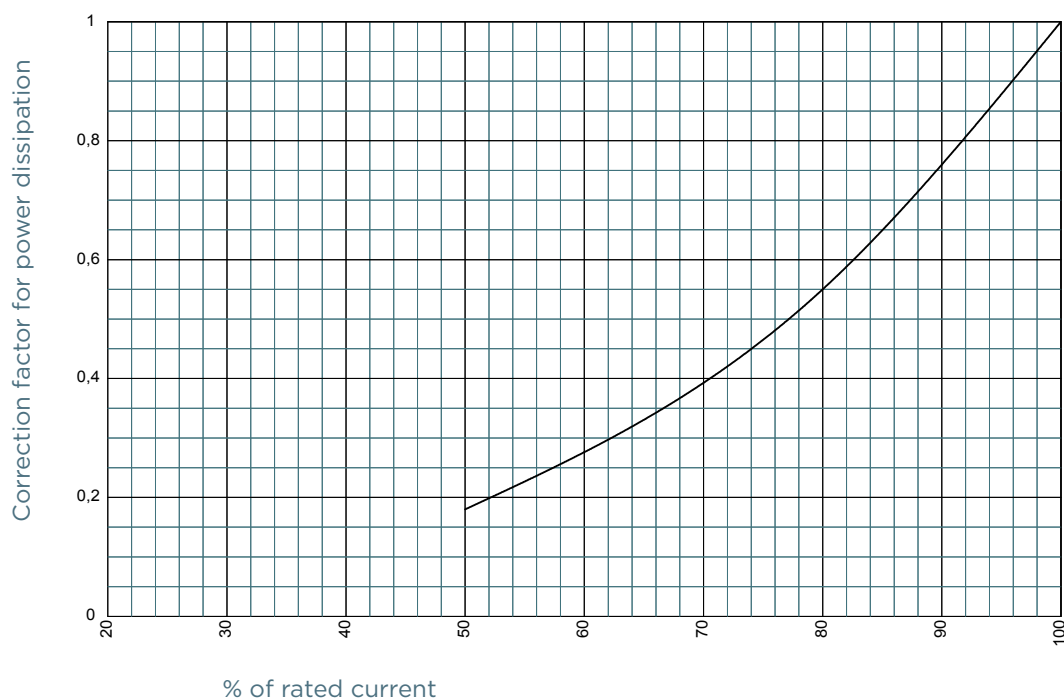
I²T MULTIPLIER COEFFICIENT



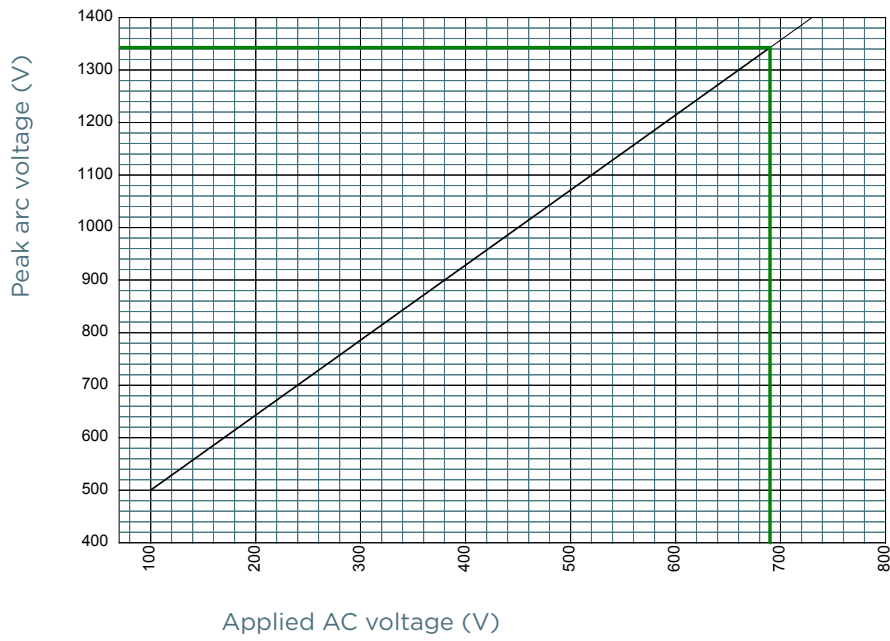
CHARACTERISTICS TOTAL I²T CURVE



POWER DISSIPATION



PEAK ARC VOLTAGE

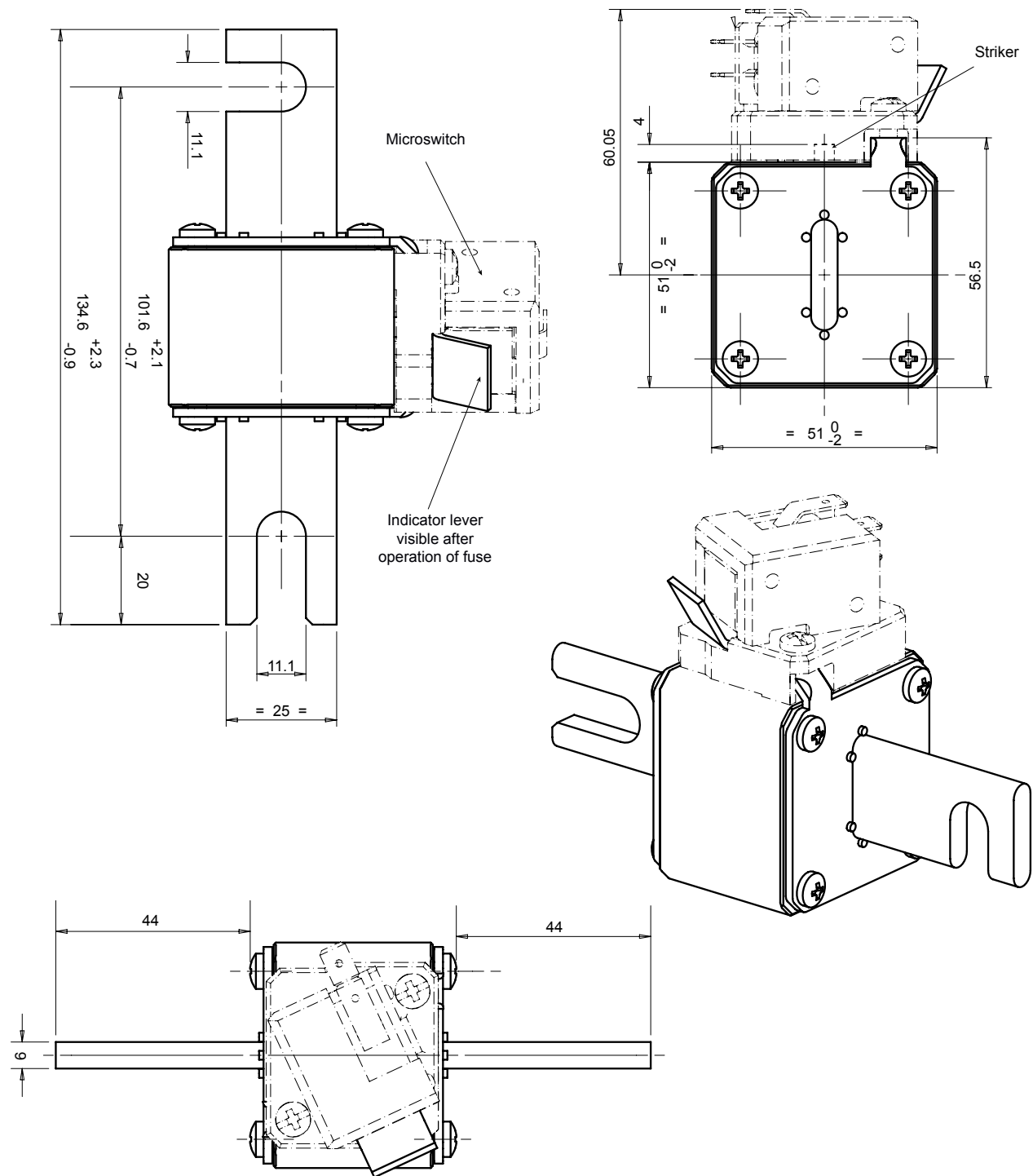


Protistor® size 31 aR

690VAC (IEC) / 700VAC (UL)

DIMENSIONS

Size 31 type DIN 110



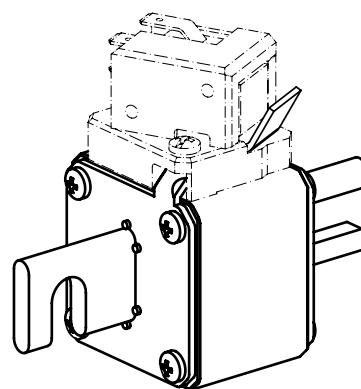
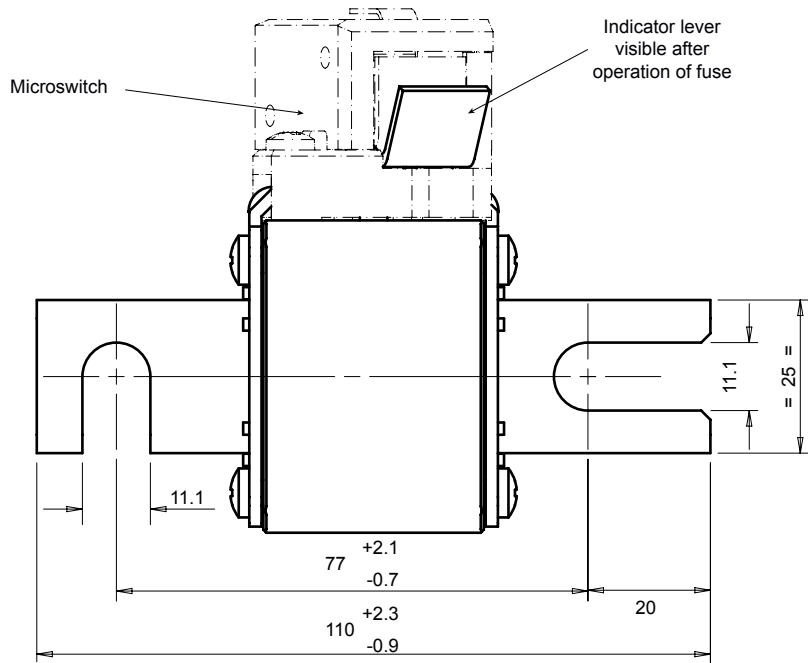
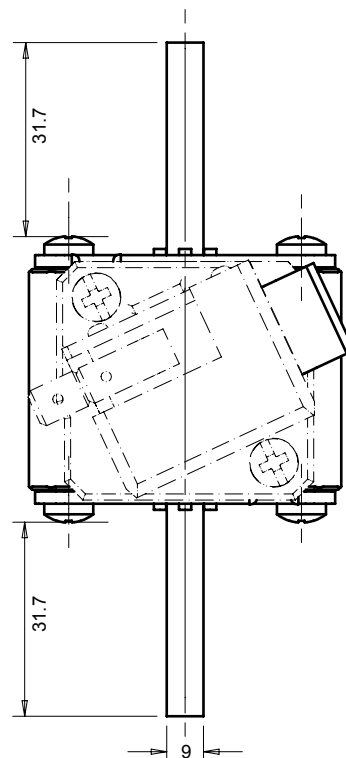
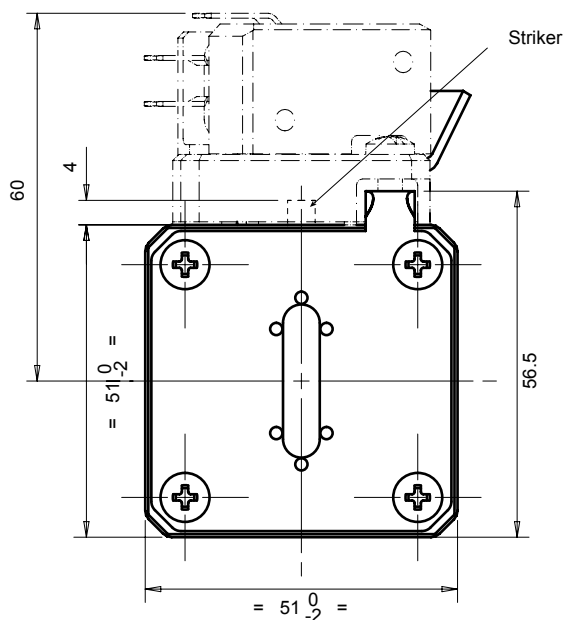
Dimensions in mm

Protistor® size 31 aR

690VAC (IEC) / 700VAC (UL)

DIMENSIONS

Size 31 type DIN 80



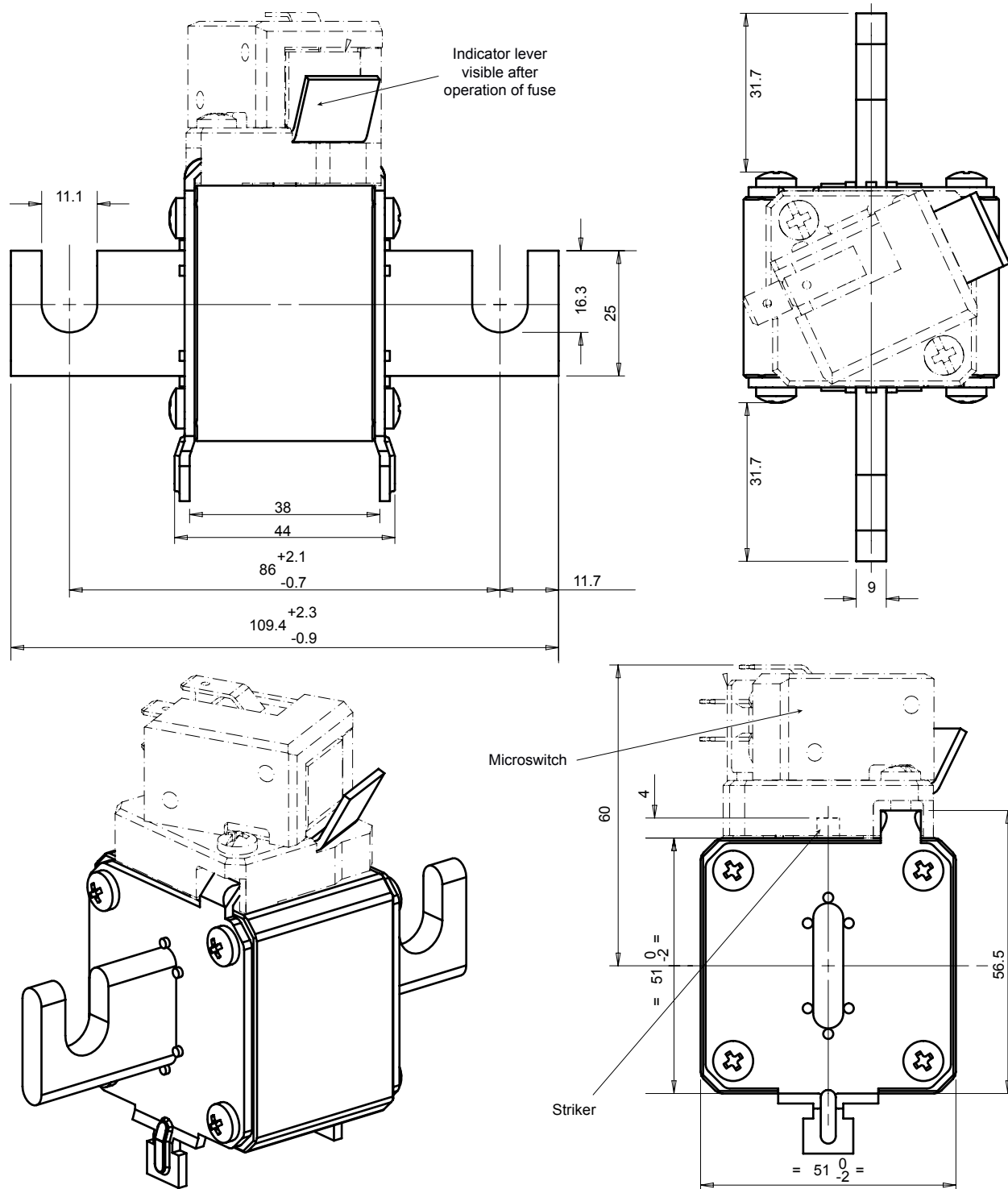
Dimensions in mm

Protistor® size 31 aR

690VAC (IEC) / 700VAC (UL)

DIMENSIONS

Size 31 type EF



Dimensions in mm

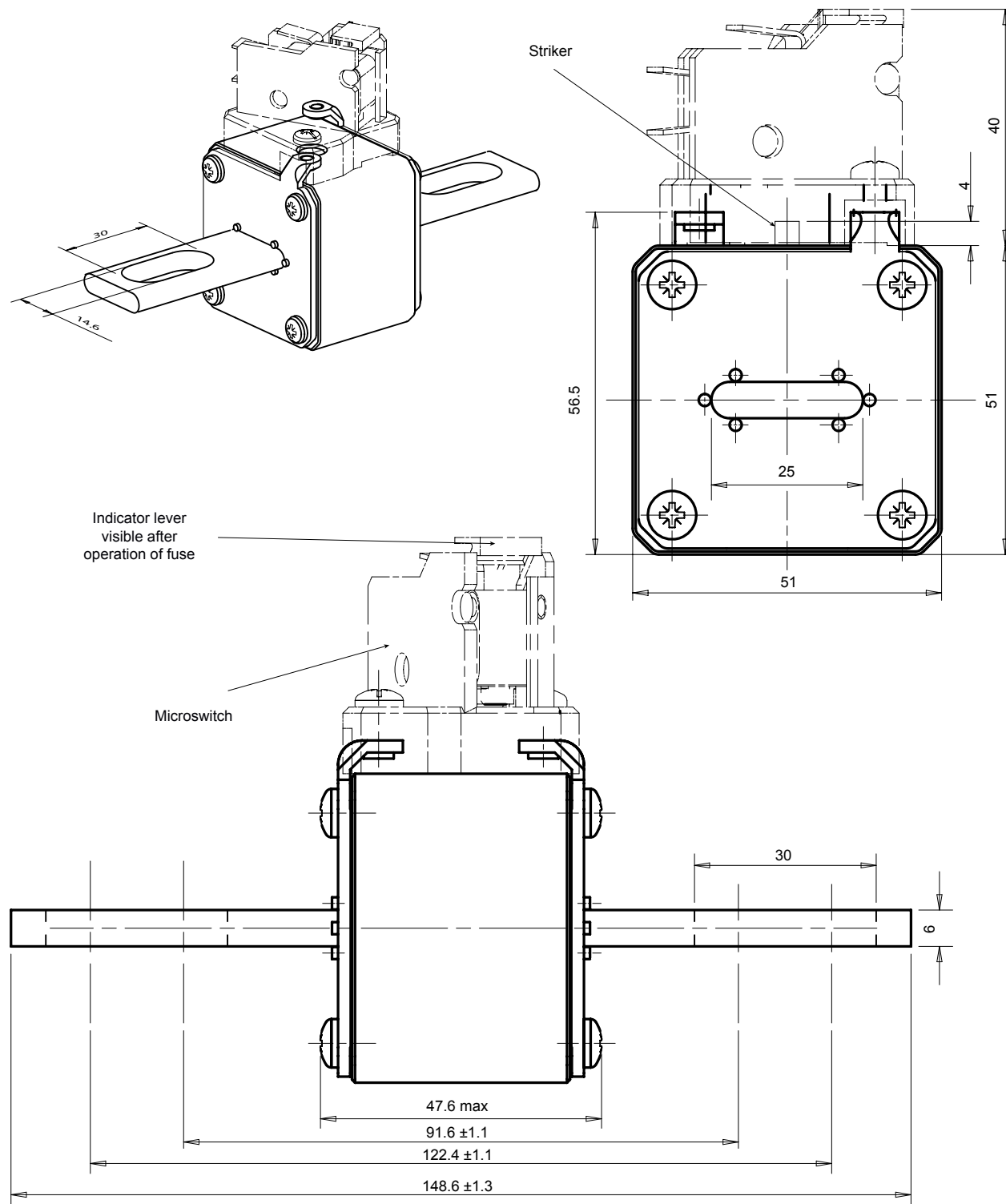
MERSEN reserves the right to change, update or correct, without notice, any information contained in this datasheet.

Protistor® size 31 aR

690VAC (IEC) / 700VAC (UL)

DIMENSIONS

Size 31 type LI



Dimensions in mm

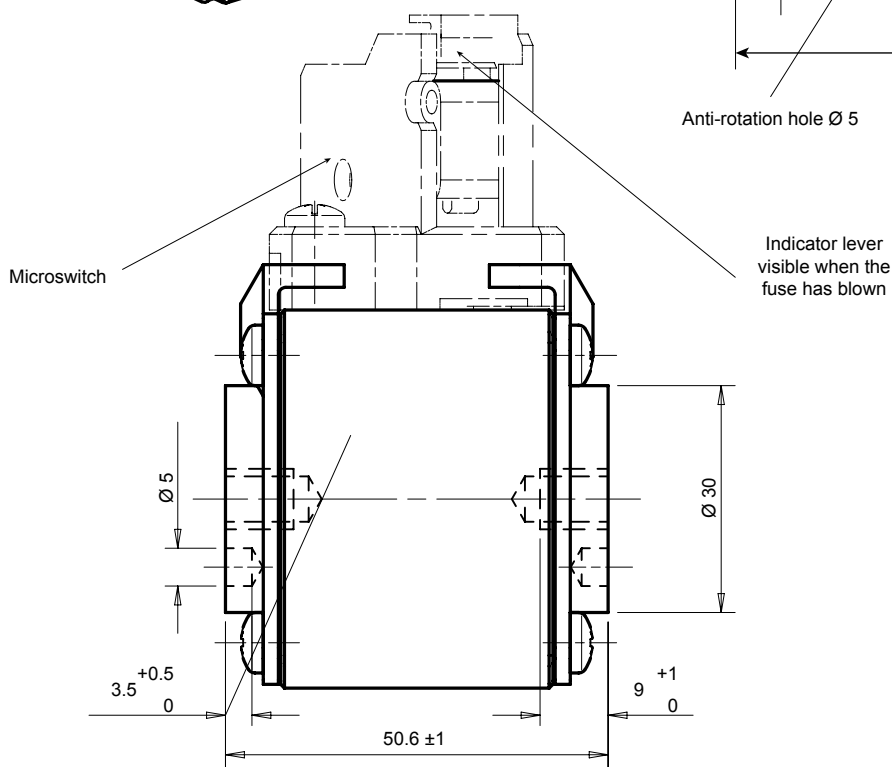
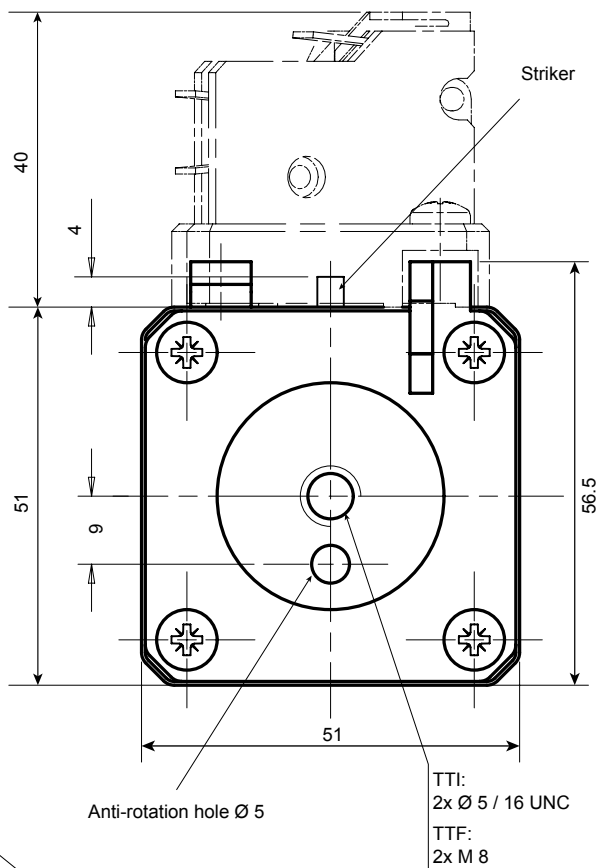
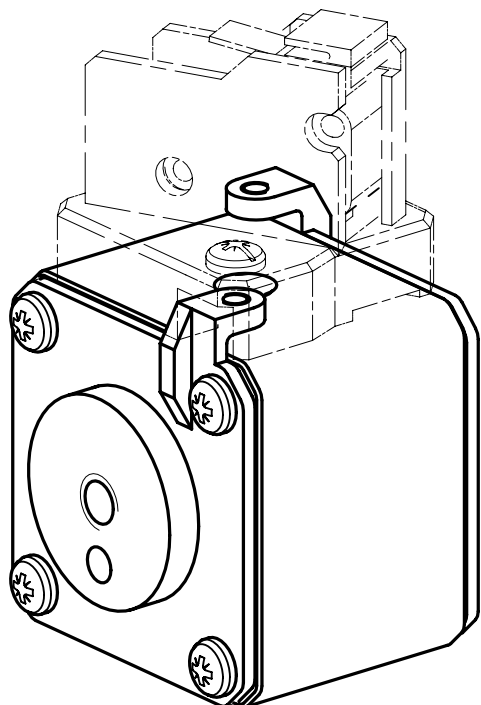
MERSEN reserves the right to change, update or correct, without notice, any information contained in this datasheet.

Protistor® size 31 aR

690VAC (IEC) / 700VAC (UL)

DIMENSIONS

Size 31 type TTF & TTI



Dimensions in mm

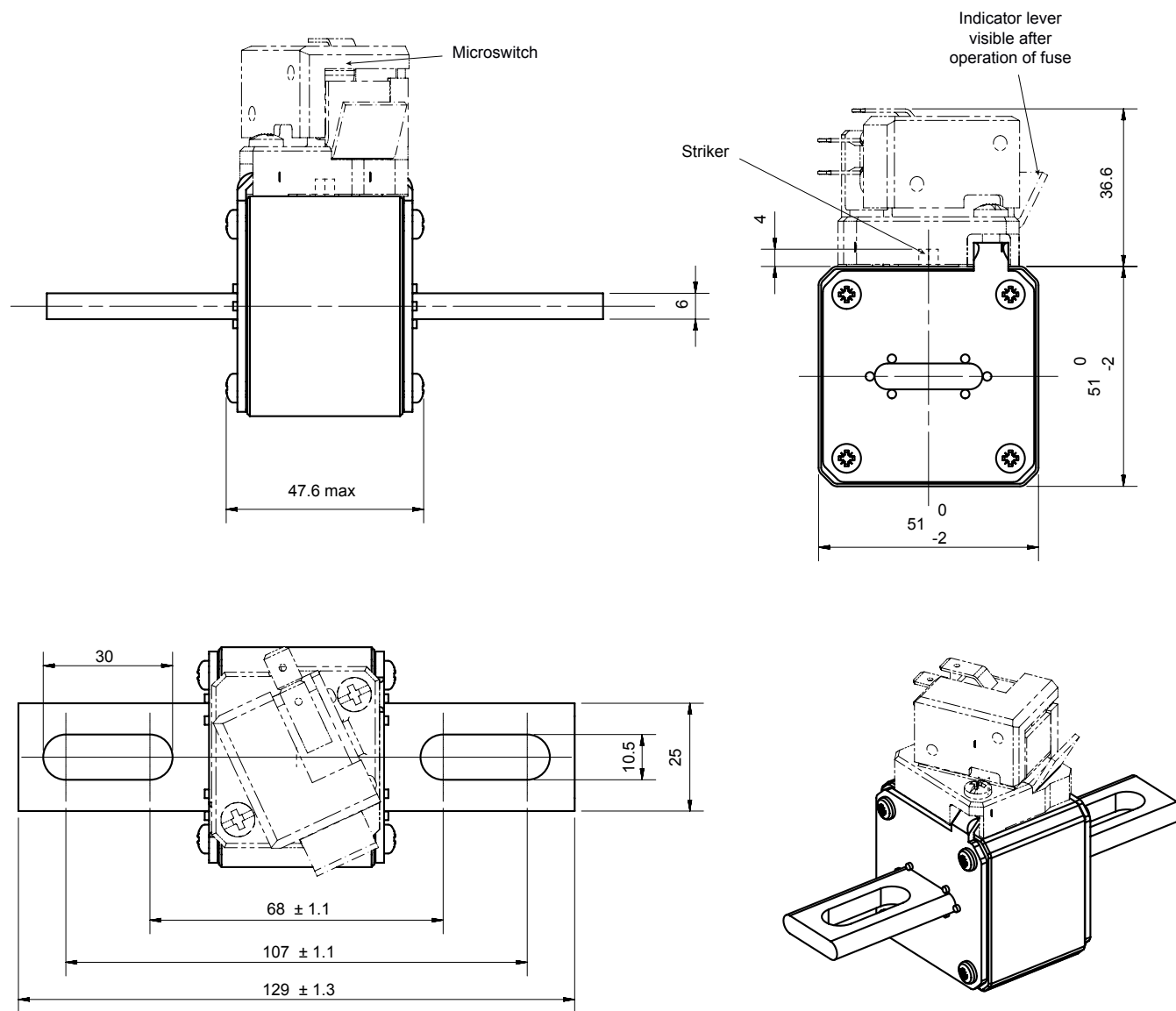
MERSEN reserves the right to change, update or correct, without notice, any information contained in this datasheet.

Protistor® size 31 aR

690VAC (IEC) / 700VAC (UL)

DIMENSIONS

Size 31 type KI



Dimensions in mm

APPENDIX

Index

Catalog number	Item number	Description 1	Page
PC31UD69V160TF	M300299	6,9 URD 31 TT F 0160	2
PC31UD69V200TF	N300001	6,9 URD 31 TT F 0200	2
PC31UD69V250TF	P300002	6,9 URD 31 TT F 0250	2
PC31UD69V315TF	Q300003	6,9 URD 31 TT F 0315	2
PC31UD69V350TF	M300046	6,9 URD 31 TT F 0350	2
PC31UD69V400TF	R300004	6,9 URD 31 TT F 0400	2
PC31UD69V450TF	S300005	6,9 URD 31 TT F 0450	2
PC31UD69V500TF	T300006	6,9 URD 31 TT F 0500	2

Protistor® size 31 aR

690VAC (IEC) / 700VAC (UL)

APPENDIX

Index

Catalog number	Item number	Description 1	Page
PC31UD69V550TF	V300007	6,9 URD 31 TT F 0550	2
PC31UD69V630TF	W300008	6,9 URD 31 TT F 0630	2
PC31UD69V700TF	X300009	6,9 URD 31 TT F 0700	2
PC31UD69V800TF	Y300401	6,9 URD 31 TT F 0800	2
A070UD31TTI200	A300472	A 070 URD 31 TTI 0200	2
A070UD31TTI250	B300473	A 070 URD 31 TTI 0250	2
A070UD31TTI315	C300474	A 070 URD 31 TTI 0315	2
A070UD31TTI350	D300475	A 070 URD 31 TTI 0350	2
A070UD31TTI400	E300476	A 070 URD 31 TTI 0400	2
A070UD31TTI450	F300477	A 070 URD 31 TTI 0450	2
A070UD31TTI500	G300478	A 070 URD 31 TTI 0500	2
A070UD31TTI550	H300479	A 070 URD 31 TTI 0550	2
A070UD31TTI630	J300480	A 070 URD 31 TTI 0630	2
A070UD31TTI700	K300481	A 070 URD 31 TTI 0700	2
A070UD31TTI800	L300482	A 070 URD 31 TTI 0800	2
PC31UD69V160A	M300322	6,9 URD 31 D08 A 0160	3
PC31UD69V200A	Y300010	6,9 URD 31 D08 A 0200	3
PC31UD69V250A	Z300011	6,9 URD 31 D08 A 0250	3
PC31UD69V315A	A300012	6,9 URD 31 D08 A 0315	3
PC31UD69V350A	Q300049	6,9 URD 31 D08 A 0350	3
PC31UD69V400A	B300013	6,9 URD 31 D08 A 0400	3
PC31UD69V450A	C300014	6,9 URD 31 D08 A 0450	3
PC31UD69V500A	D300015	6,9 URD 31 D08 A 0500	3
PC31UD69V550A	E300016	6,9 URD 31 D08 A 0550	3
PC31UD69V630A	F300017	6,9 URD 31 D08 A 0630	3
PC31UD69V700A	G300018	6,9 URD 31 D08 A 0700	3
PC31UD69V800A	D300406	6,9 URD 31 D08 A 0800	3
PC31UD69V200D1A	H300019	6,9 URD 31 D11 A 0200	3
PC31UD69V250D1A	J300020	6,9 URD 31 D11 A 0250	3
PC31UD69V315D1A	K300021	6,9 URD 31 D11 A 0315	3
PC31UD69V350D1A	P300048	6,9 URD 31 D11 A 0350	3
PC31UD69V400D1A	L300022	6,9 URD 31 D11 A 0400	3
PC31UD69V450D1A	M300023	6,9 URD 31 D11 A 0450	3
PC31UD69V500D1A	N300024	6,9 URD 31 D11 A 0500	3
PC31UD69V550D1A	P300025	6,9 URD 31 D11 A 0550	3
PC31UD69V630D1A	Q300026	6,9 URD 31 D11 A 0630	3
PC31UD69V700D1A	R300027	6,9 URD 31 D11 A 0700	3
PC31UD69V800D1A	H300709	6,9 URD 31 D11 A 0800	3
A070UD31KI160	F300385	A 070 URD 31 KI 0160	3
A070UD31KI200	S300028	A 070 URD 31 KI 0200	3
A070UD31KI250	T300029	A 070 URD 31 KI 0250	3
A070UD31KI315	V300030	A 070 URD 31 KI 0315	3
A070UD31KI350	R300050	A 070 URD 31 KI 0350	3
A070UD31KI400	W300031	A 070 URD 31 KI 0400	3
A070UD31KI450	X300032	A 070 URD 31 KI 0450	3
A070UD31KI500	Y300033	A 070 URD 31 KI 0500	3
A070UD31KI550	Z300034	A 070 URD 31 KI 0550	3
A070UD31KI630	A300035	A 070 URD 31 KI 0630	3
A070UD31KI700	B300036	A 070 URD 31 KI 0700	3
A070UD31KI800	A301070	A 070 URD 31 KI 0800	3
A070UD31LI200	V300697	A070URD31LI0200	4
A070UD31LI250	W300698	A 070 URD 31 LI 0250	4
A070UD31LI315	X300699	A 070 URD 31 LI 0315	4
A070UD31LI350	Y300700	A070URD31LI0350	4
A070UD31LI400	Z300701	A 070 URD 31 LI 0400	4

MERSEN reserves the right to change, update or correct, without notice, any information contained in this datasheet.

Protistor® size 31 aR

690VAC (IEC) / 700VAC (UL)

Index

Catalog number	Item number	Description 1	Page
A070UD31LI450	A300702	A 070 URD 31 LI 0450	4
A070UD31LI500	B300703	A 070 URD 31 LI 0500	4
A070UD31LI550	C300704	A 070 URD 31 LI 0550	4
A070UD31LI630	D300705	A 070 URD 31 LI 0630	4
A070UD31LI700	E300706	A 070 URD 31 LI 0700	4
A070UD31LI800	F300707	A 070 URD 31 LI 0800	4
PC31UD69V160EF	B301922	6,9 URD 31 EF 0160	4
PC31UD69V200EF	C300037	6,9 URD 31 EF 0200	4
PC31UD69V250EF	D300038	6,9 URD 31 EF 0250	4
PC31UD69V315EF	E300039	6,9 URD 31 EF 0315	4
PC31UD69V350EF	N300047	6,9 URD 31 EF 0350	4
PC31UD69V400EF	F300040	6,9 URD 31 EF 0400	4
PC31UD69V450EF	G300041	6,9 URD 31 EF 0450	4
PC31UD69V500EF	H300042	6,9 URD 31 EF 0500	4
PC31UD69V550EF	J300043	6,9 URD 31 EF 0550	4
PC31UD69V630EF	K300044	6,9 URD 31 EF 0630	4
PC31UD69V700EF	L300045	6,9 URD 31 EF 0700	4